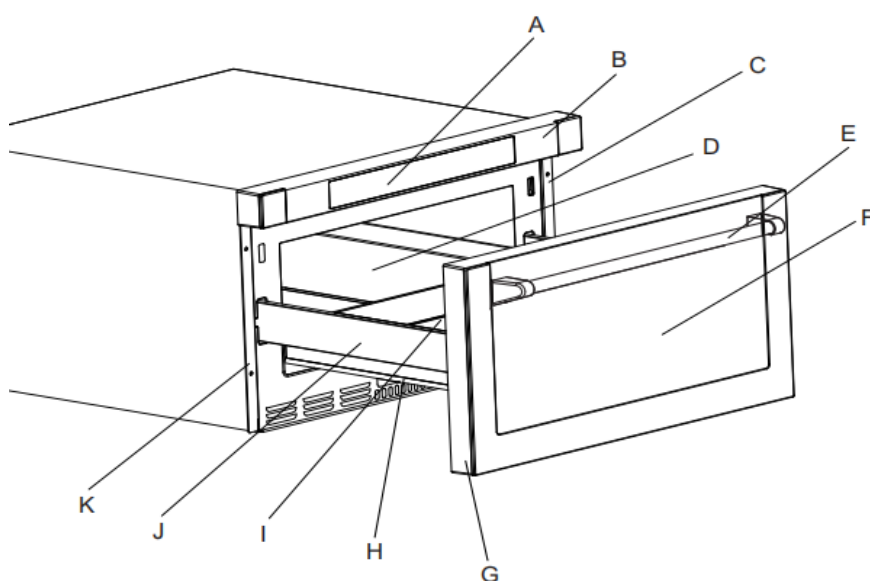


Installation

SETTING UP YOUR OVEN

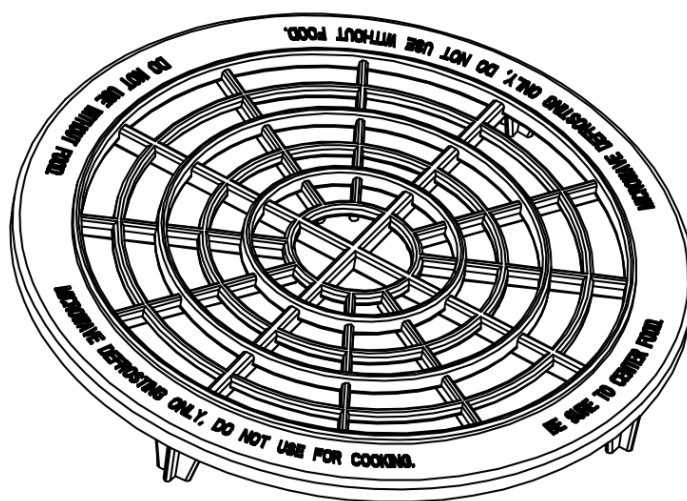
Names of Oven Parts and Accessories

Remove the oven and all materials from the carton and oven cavity.
Your oven comes with the following accessories:



- A) Control Patch
- B) Control Box
- C) Right Mounting Plate
- D) Cavity
- E) Handle
- F) Windows
- G) Door Frame
- H) Automatic putter
- I) Drawer
- J) Hinge Joint Board
- K) Left Mounting Plate

Defrosting Rack(Only be used in defrosting functio and do not use for cooking. Do not use without food)

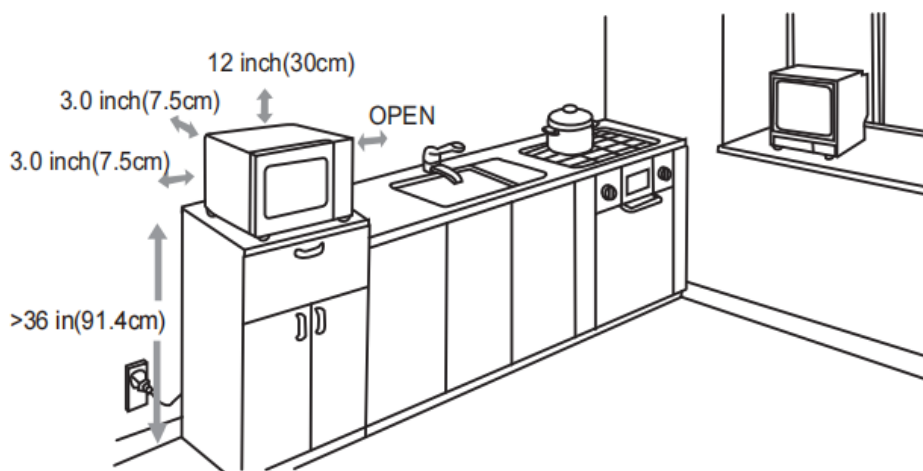


Countertop Installation

- Remove all packing material and accessories. Examine the oven for any damage such as dents or broken door. Do not install if oven is damaged.
- Cabinet: Remove any protective film found on the microwave oven cabinet surface. Do not remove the light brown Mica cover that is attached to the oven cavity to protect the magnetron.

Installation

1. Select a level surface that provide enough open space for the intake and/or outlet vents.



A minimum clearance of 3.0 inches (7.5cm) is required between the oven and any adjacent walls. One side must be open.

The minimum installation height is 36 in (91.4cm).

(1) Leave a minimum clearance of 12

inches (30cm) above the oven. (2) Do not remove the legs from the bottom of the oven.

(3) Blocking the intake and/or outlet openings can damage the oven.

(4) Place the oven as far away from radios and TV as possible. Operation of microwave oven may cause interference to your radio or TV reception.

2. Plug your oven into a standard household outlet. Be sure the voltage and the frequency is the same as the voltage and the frequency on the rating label. **WARNING:** Do not install oven over a range cooktop or other heat-producing appliance. If installed near or over a heat source, the oven could be damaged and the warranty would be void.

The accessible surface may be hot during operation.



Operation

Control Panel and Features



- | | |
|------------------------|--------------------|
| 1. Open | 7. Time Defrost |
| 2. Setup | 8. Number keys |
| 3. Auto Menu | 9. Power |
| 4. Weight Defrost | 10. Start/ +30sec. |
| 5. Close | 11. Time Cook |
| 6. Clock/Kitchen timer | 12. Stop/Cancel |

1. Power On

(1) When the microwave oven is plugged into an outlet, buzzer sounds once. Screen displays

"WELCOME". Then the oven turns into waiting state. The screen displays "00:00"

(2) In waiting state, the screen will display the current time if the clock has been set. Otherwise, "00:00" will display.

(3) Press "OPEN" button to open the drawer, and screen displays "OPEN". The screen will display "PLEASE CLOSE" when the drawer is fully opened.

Press "CLOSE" button to close the drawer, and the screen displays "CLOSE". The screen will display the current time or "00:00" when the drawer is fully closed.

If there are mistakes to open or close the drawer, buzzer will sound five times, and the screen will display "OPEN OR CLOSE".

2. Clock Setting

(1) Press "CLOCK/KITCHEN TIMER" button once. The first hour figure will flash and other "0" will light.

(2) Press the number buttons to enter the correct time. The input time should be between 01:00-12:59.

(3) Press "CLOCK/KITCHEN TIMER" to finish the setting. ":" will flash.

Note: In the process of clock setting, if the "STOP/CANCEL" button is pressed or if there is no operation within 1 minute, the oven will go back to former setting automatically.

3. Kitchen Timer

(1) Press "CLOCK/KITCHEN TIMER" button twice, Screen will display 00:00. "FUNCTION" will light.

(2) Press the number buttons to enter the time. The maximum cooking time is 99 minutes 99 seconds.

(3) Press "START/+30SEC." to confirm the setting. The time begins to count down.

(4) When the kitchen time arrives, buzzer will ring 5 times. The oven turns into waiting

state. Screen will display the current time if the clock has been set. Otherwise, Screen will display "00:00".

Note: 1) The kitchen timer is differ from 12-hour system. Kitchen Timer is a timer.

2) In the process of Kitchen Timer operation, any cooking programme cannot be operated.

3) "STOP/CANCEL" can be pressed to cancel the Kitchen Timer.

4. Microwave Cooking Function

11 power levels are available.

Level	10	9	8	7	6	5	4	3	2	1	0
Power	100%	90%	80%	70%	60%	50%	40%	30%	20%	10%	0%
Display	PL100	PL90	PL80	PL70	PL60	PL50	PL40	PL30	PL20	PL10	PL00

(1) Press "TIME COOK" button, Screen will display "00:00". "FUNCTION" will light. Press number buttons to input the cooking time. The maximum cooking time is 99 minutes 99 seconds.

(2) Press "POWER" button to set the power. The default power level is "PL100". Press number buttons to select different power levels.

(3) Press "START/+30SEC." to start cooking. Buzzer sounds once. The cooking time begins to count down. When cooking finished, buzzer sounds five times and "FINISH" displays.

Note: In the process of setting, if the "STOP/CANCEL" button is pressed or if there is no operation within 1 minute, the oven will go back to the former setting automatically.

5. Fast Cooking

(1) In waiting state, instant cooking at 100% power level with 30 seconds' cooking time can be started by pressing "START/+30SEC". Each press on the same button will increase cooking time by 30 seconds.

(2) During microwave and defrost by time, "START/+30SEC." can be pressed to increase cooking time. Each press will increase 30 seconds.

Note: "START/+30SEC." cannot be pressed to increase cooking time for defrost by weight and Auto menu cooking.

6. Weight Defrost Function

(1) Press "DEFROST WEIGHT" button. Screen displays "WEIGHT DEFROST". And "FUNCTION" will light.

(2) Press number buttons to input the weight to be defrosted.

The input weight should be between 0.1-6.0 lbs.

(3) Press "START/+30SEC." to start defrosting. Buzzer sounds once. The defrosting time begins to count down. When cooking finished, buzzer sounds five times and "FINISH" displays.

7. Time Defrost Function


(1) Press "DEFROST TIME" button. Screen displays "TIME DEFROST". And "FUNCTION" will light.

(2) Press number buttons to enter the defrosting time between 00:01-99:99.

(3) Press "START/+30SEC." to start defrosting. Buzzer sounds once. The defrosting time begins to count down. When cooking finished, buzzer sounds five times and "FINISH" displays.

Note: The defrosting power level is PL30.

8. Auto Menu--Beverage

(1) Press "BEVERAGE" button. Screen displays "1" "AUTO MENU" and "  " indicators will light.

(2) Continue to press "BEVERAGE" button, "1" or "2" will display in order.

(3) Press "START/+30SEC." to start cooking. Buzzer sounds once. The cooking time begins to count down. When cooking finished, buzzer sounds five times and "FINISH" displays.

9. Auto Menu--Popcorn

(1) Press "POPCORN" button. Screen displays "1.75". "AUTO MENU" and "OZ" indicators will light.

(2) Continue to press "POPCORN" button, "1.75", "3.0" or "3.5" will display in order. (3) Press "START/+30SEC." to start cooking. Buzzer sounds once. "OZ" will go out. The cooking time begins to count down. When cooking finished, buzzer sounds five times and "FINISH" displays.

10. Auto Menu--Melt

(1) Press "MELT" button. Screen displays "BUTTER". "AUTO MENU" indicator will light. (2) Continue to press "MELT" button, "BUTTER", "CHOCOLA", "CHEESE" or "MARSHMA" will display in order.

(3) Press "START/+30SEC." to confirm the selection.

(4) Press "MELT" button to select the weight. "OZ" will light except butter menu.

(5) Press "START/+30SEC." to start cooking. Buzzer sounds once. "OZ" will go out. The cooking time begins to count down. When cooking finished, buzzer sounds five times and "FINISH" displays.

Menu	Display	Weight
Butter/Margarine	BUTTER	1(STICH) 2(STICHS) 3(STICHS)
Chocolate	CHOCOLA	4 8
Cheese	CHEESE	8 16
Marshmallows	MARSHMA	5 10

11. Auto Menu--Soften

(1) Press "SOFTEN" button. Screen displays "BUTTER". "AUTO MENU" indicator will light. (2) Continue to press "SOFTEN" button, "BUTTER", "ICE-CRE" or "CHEESE" will display in order.

(3) Press "START/+30SEC." to confirm the selection.

(4) Press "SOFTEN" button to select the weight. "OZ" will light except butter menu.

(5) Press "START/+30SEC." to start cooking. Buzzer sounds once. "OZ" will go out. The cooking time begins to count down. When cooking finished, buzzer sounds five times and "FINISH" displays.

Menu	Display	Weight
Butter	BUTTER	1(STICH) 2(STICHS) 3(STICHS)
Ice cream/ Frozen juice	ICE-CRE	8 16 32
Cream Cheese	CHEESE	3 8

12. Buzzer On/Off

- (1) Press "SETUP" button. Screen displays "BUZ OFF".
- (2) Press "START/+30SEC." button. The oven will turn to waiting state. Buzzer is turned off. No beep will sound.
- (3) Press "SETUP" button. Screen displays "BUZ ON".
- (4) Press "START/+30SEC." button. The oven will turn to waiting state. Buzzer is turned on. Buzzer will sound normally.

13. LOCK FUNCTION FOR CHILDREN

Lock: In waiting state, press "STOP/CANCEL" for 3 seconds, the oven will enter into the children-lock state. Screen will display the current time if the clock has been set. Otherwise, "00:00" will display.

Lock quitting: In locked state, press "STOP/CANCEL" for 3 seconds to release the lock.

14. INQUIRING FUNCTION

- (1) In cooking state, press "CLOCK/KITCHEN TIMER" button to check the clock. The current time will display for 3 seconds.
- (2) In the microwave cooking state, press "POWER" button to inquire the microwave power. The current microwave power will display for 3 seconds.

15. OTHER SPECIFICATIONS

- (1) The buzzer sounds once by efficient press, inefficient press will be no response.
- (2) In cooking state, "OPEN" cannot be pressed to open the drawer unless "STOP/CANCEL" button is pressed to pause the cooking. Press "CLOSE" button to close the drawer. Then "START/+30SEC." button must be pressed to continue cooking.
- (3) If the cooking programme has been set, "START/+30SEC." is not pressed in 1 minute, The current time will be displayed. The setting will be cancelled.
- (4) If the oven door is open, the lamp will light until the oven is powered off.

Maintenance

Troubleshooting

Check your problem by using the chart below and try the solutions for each problem. If the microwave oven still does not work properly, contact the nearest authorized service center

Problem	Possible Cause	Solution
Oven will not start	a. Electrical cord for oven is not plugged in. b. Door is open. c. Wrong operation is set.	a. Plug into the outlet. b. Close the door and try again. c. Check instructions.
Arcing or sparking	a. Materials to be avoided in microwave oven were used. b. The oven is operated when empty. c. Spilled food remains in the cavity.	a. Use microwave-safe cookware only. b. Do not operate with oven empty. c. Clean cavity with wet towel.
Unevenly cooked foods	a. Materials to be avoided in microwave oven were used. b. Food is not defrosted completely. c. Cooking time, power level is not suitable. d. Food is not turned or stirred.	a. Use microwave-safe cookware only. b. Completely defrost food. c. Use correct cooking time, power level. d. Turn or stir food.
Overcooked foods	Cooking time, power level is not suitable.	Use correct cooking time, power level.
Undercooked foods	a. Materials to be avoided in microwave oven were used. b. Food is not defrosted completely. c. Oven ventilation ports are restricted. d. Cooking time, power level is not suitable.	a. Use microwave-safe cookware only. b. Completely defrost food. c. Check to see that oven ventilation ports are not restricted. d. Use correct cooking time, power level.
Improper defrosting	a. Materials to be avoided in microwave oven were used. b. Cooking time, power level is not suitable. c. Food is not turned or stirred.	a. Use microwave-safe cookware only. b. Use correct cooking time, power level. c. Turn or stir food.