



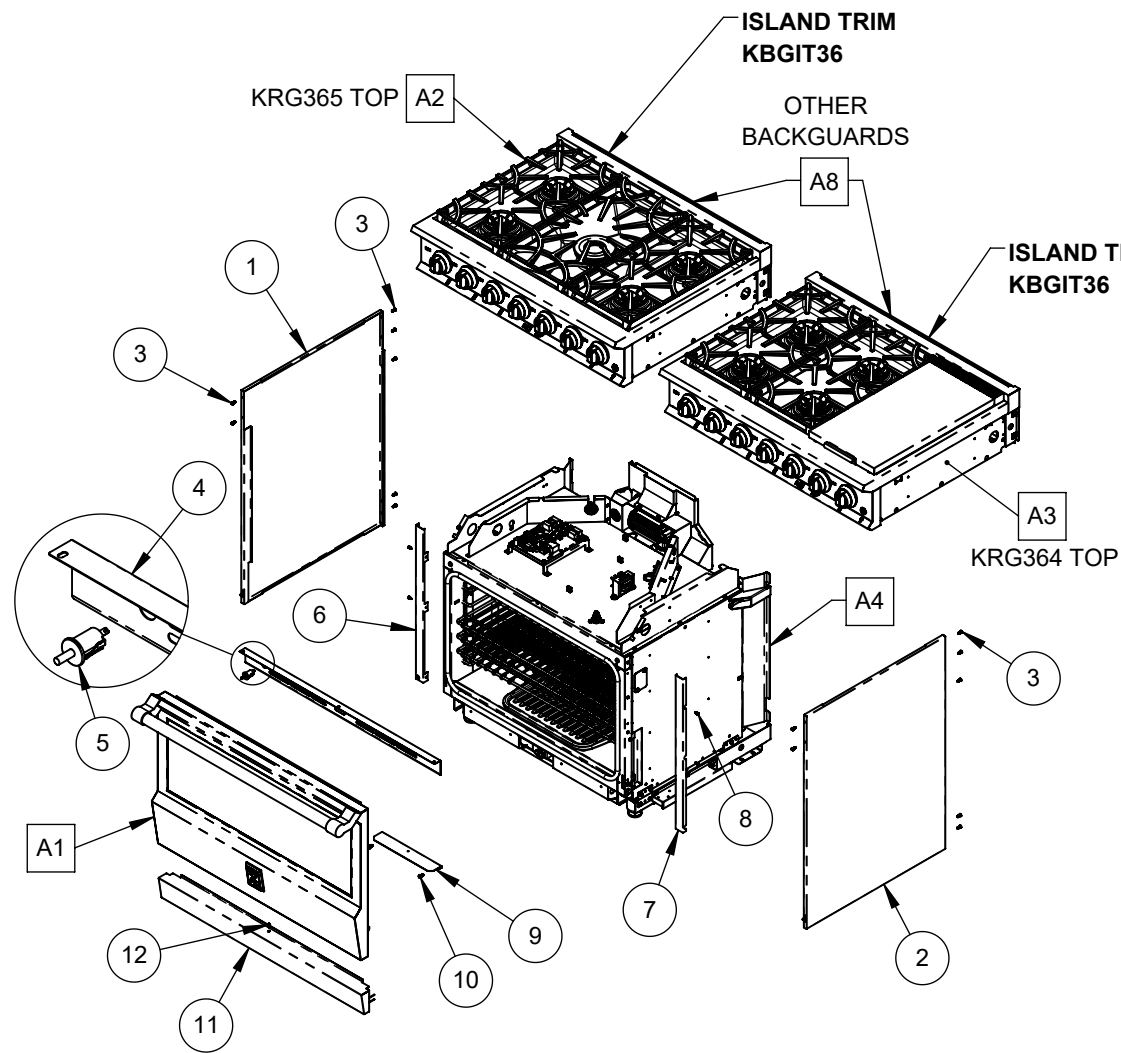
**All-Gas Range  
KRG36X  
Parts List**

**Hestan Commercial Corporation  
3375 E. La Palma Ave.  
Anaheim, CA 92806  
(888)905-7463**

**RETAIN THIS FOR FUTURE REFERENCE**



All warranty and non-warranty repairs should be performed by qualified service personnel. To locate an authorized service agent, contact your Hestan dealer, local representative, or the manufacturer. Before you call, please have the model number and serial number information ready.  
 Hestan Commercial Corp.  
 (888) 905-7463



ITEM	PART NO.	DESCRIPTION	QTY.
1	017663	ASSY, PANEL, SIDE, LEFT, 36" RANGE	1
2	017664	ASSY, PANEL, SIDE, RIGHT, 36" RANGE	1
3	010242	SERVICE, SMS, #10-24 X 1/2, PH, PAN, TYPE F, SS, PKG 10	1
4	018259	GRILL, FRONT, RANGETOP	1
5	018023	SWITCH, PLUNGER, N.O., OVEN DOOR	1
6	028540	TRIM, SIDE, LH, 30" RANGE	1
7	022772	TRIM, SIDE, RH, 48" RANGE	1
8	024256	SERVICE, SMS, #8 X 1/2, PH, ROUND, BLK-OXIDE, SS, PKG 4	1
9	031629	BRACKET, SUPPORT, KICK PANEL, 30" GAS RANGE	1
10	024263	SERVICE, SMS, #10-24 X .50, HEXWSH, TYPE F, SS, PKG 10	1
11	033728	SERVICE, PANEL, KICK, 36" RANGE	1
12	011852	SERVICE, SMS, #8-32 X 3/8, PH, PAN, TYPE F, SS, PKG 4	1



**PROPRIETARY**  
 NO PART OF THIS DOCUMENT MAY BE REPRODUCED, STORED IN A RETRIEVAL SYSTEM, OR TRANSMITTED IN ANY FORM, WITHOUT THE WRITTEN PERMISSION OF Hestan Commercial Corporation. THIS DOCUMENT OR ANY COPIES SHALL BE RETURNED UPON WRITTEN REQUEST.

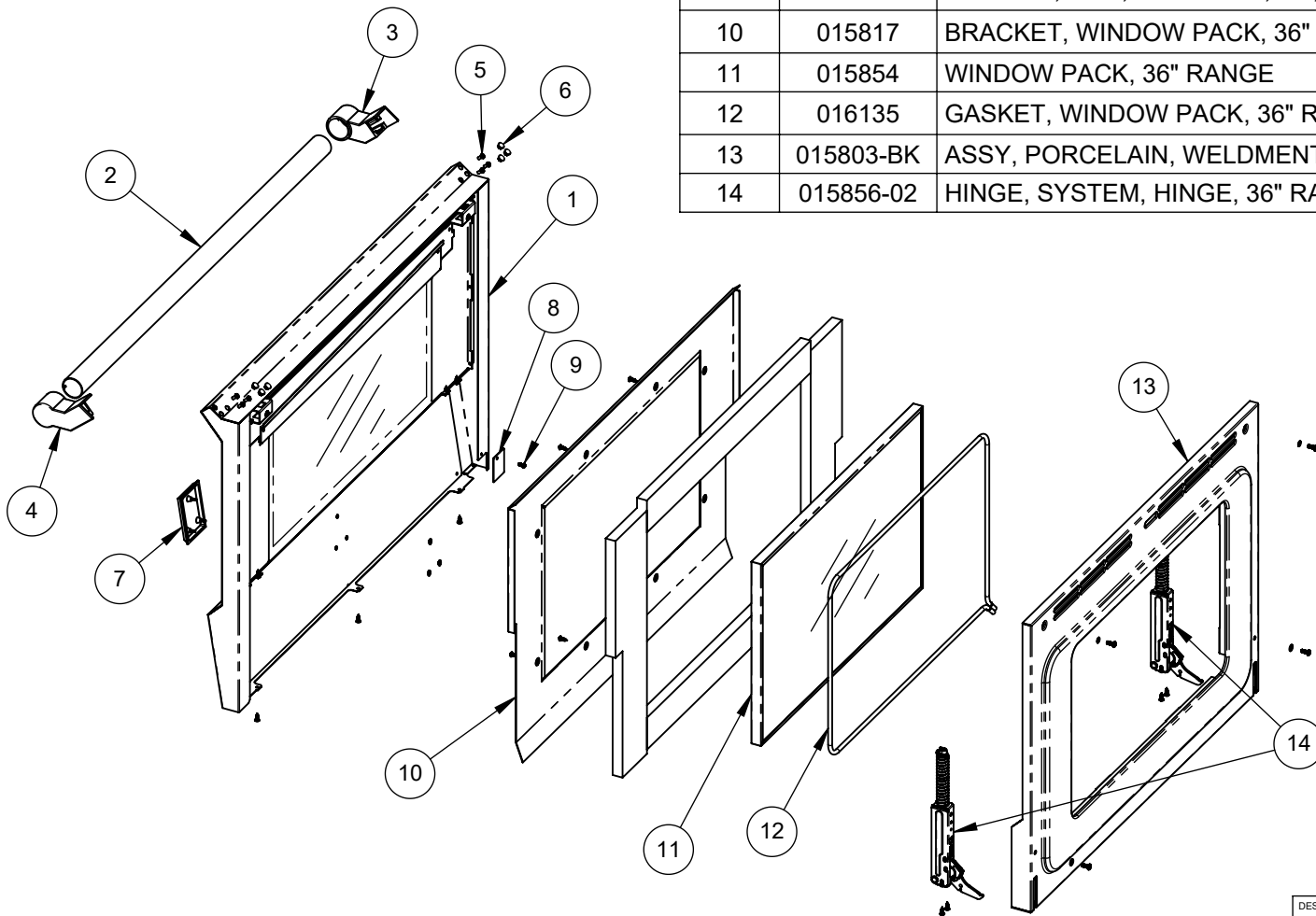
DESCRIPTION  
**SERVICE - RANGE, 4 OR 5 BURNER, ALL-GAS, 36"**

DRAWING NO  
**KRG36X-SERVICE**

REVISION  
**E**

SHEET NO.  
 1 OF 18

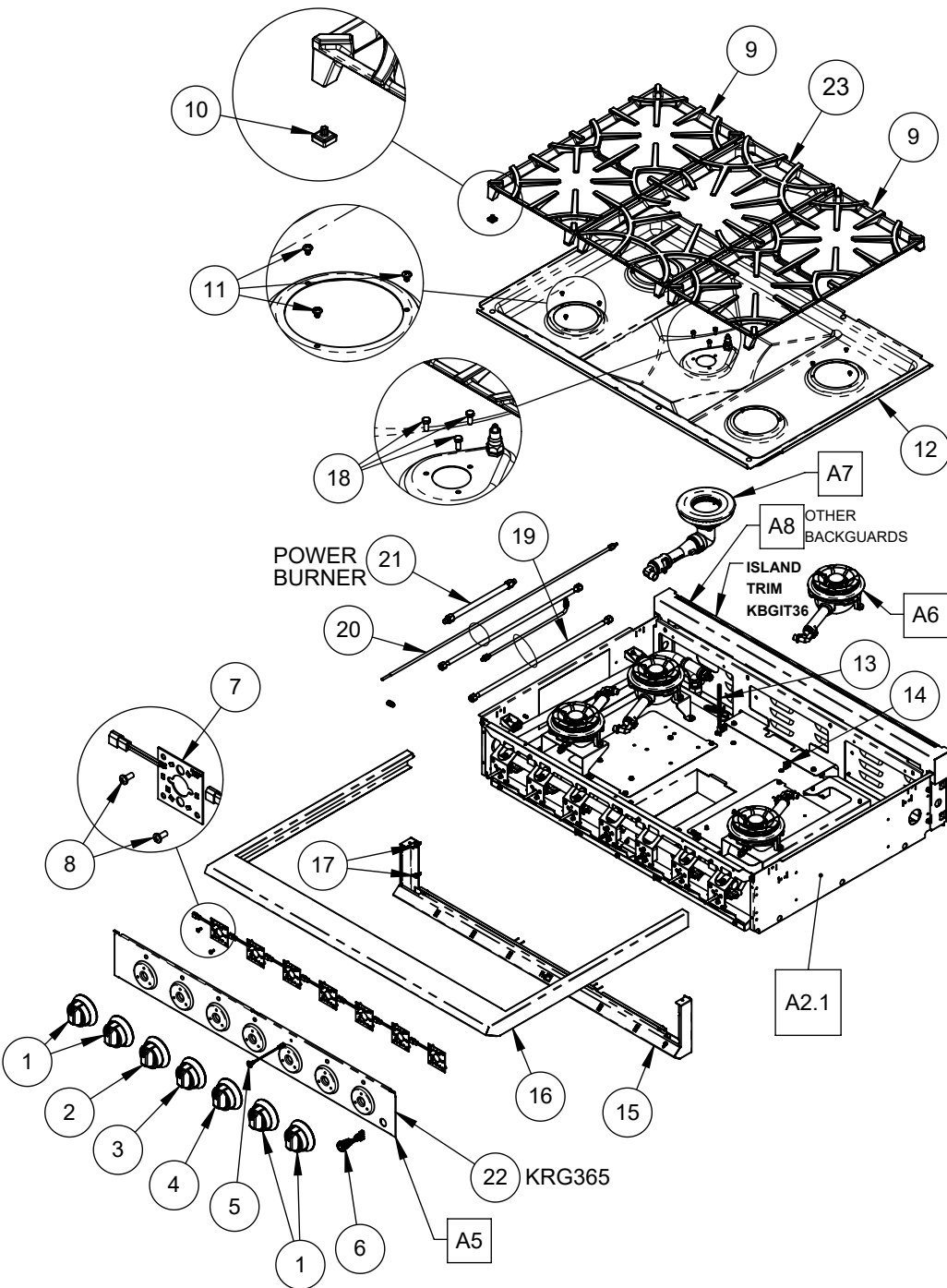
ITEM	PART NUMBER	DESCRIPTION	QTY
1	025809-XX	SERVICE, ASSY., DOOR SKIN, 36" RANGE	1
2	024372	HANDLE, DOOR, INDOOR OVEN, 36" GAS RANGE	1
3	017152	ENDCAP, HANDLE, LH, OVEN DOOR, INDOOR	1
4	017153	ENDCAP, HANDLE, RH, OVEN DOOR, INDOOR	1
5	024261	SERVICE, MS, 8-32 X .375, PH, ROUND HD, ZN, PKG 6	1
6	024258	SERVICE, PLUG, SNAP-IN, 5/16 HOLE, .047 - .078 PANEL THK, STEEL, NICKEL PLATED, PKG 4	1
7	024252	SERVICE, LARGE HESTAN LOGO W/ RETAINING RINGS	1
8	021617	COVER, ELEC. CONNECTOR, OVEN DOOR	1
9	011852	SERVICE, SMS, #8-32 X 3/8, PH, PAN, TYPE F, SS, PKG 4	1
10	015817	BRACKET, WINDOW PACK, 36" RANGE	1
11	015854	WINDOW PACK, 36" RANGE	1
12	016135	GASKET, WINDOW PACK, 36" RANGE	1
13	015803-BK	ASSY, PORCELAIN, WELDMENT, DOOR LINER, 36" RANGE, BLACK	1
14	015856-02	HINGE, SYSTEM, HINGE, 36" RANGE	2



Color Extension (-XX)	Description
	Stainless Steel
-BK	Stealth - Black
-WH	Froth - White
-RD	Matador - Red
-YW	Sol - Yellow
-OR	Citra - Orange
-BG	Tin Roof - Burgundy
-PP	Lush - Purple
-BU	Prince - Blue
-GR	Grove - Green
-GG	Pacific Fog - Graphite Gray
-TQ	Bora Bora - Turquoise

 HESTAN

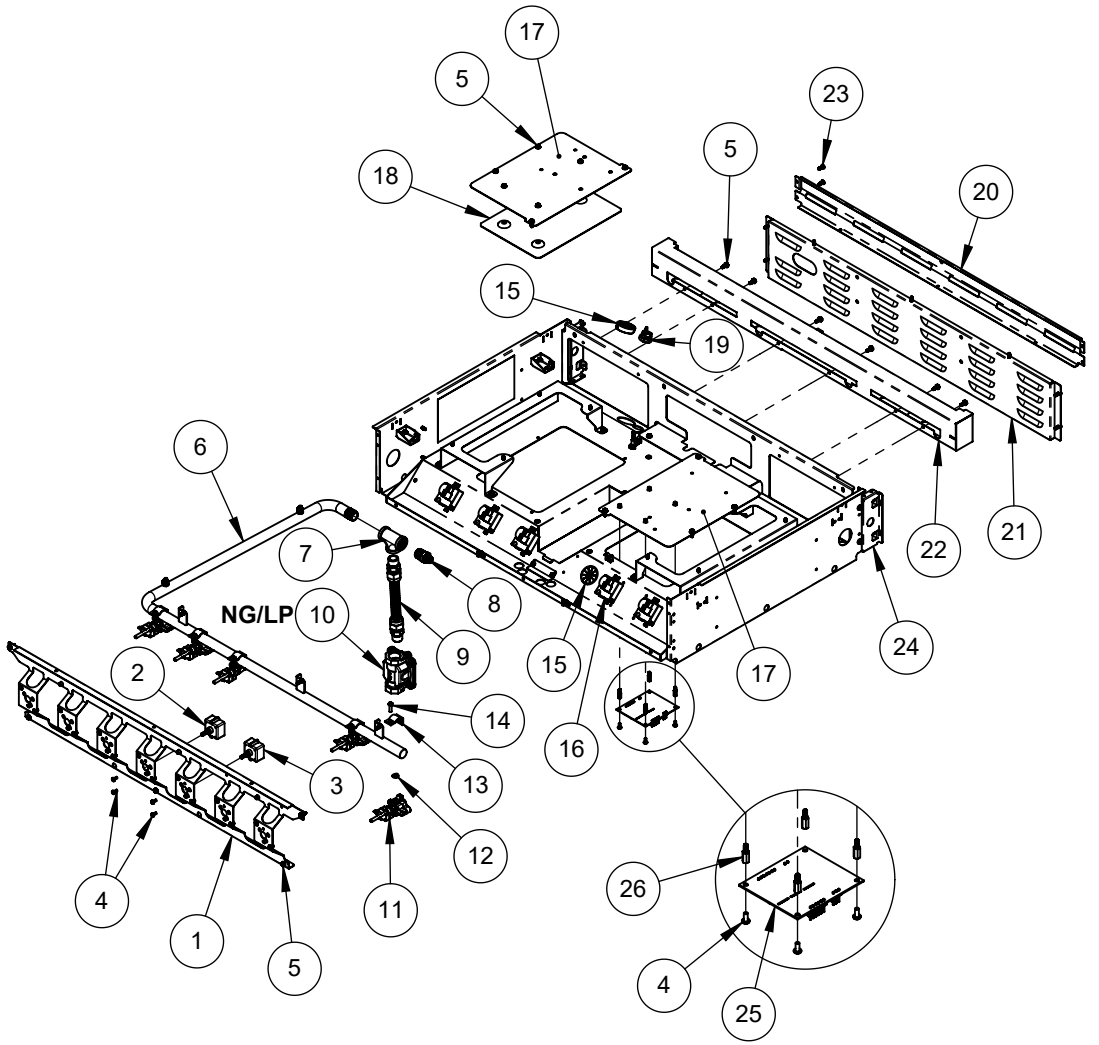
DESCRIPTION	<b>KRG36X OVEN DOOR</b>
DRAWING NO	<b>A1</b>



ITEM	PART NO.	DESCRIPTION	QTY.
1	018170	KNOB ASSEMBLY, MAIN BURNER, RESIDENTIAL INDOOR	4
2	018378	KNOB ASSEMBLY, SINGLE FLOW, RESIDENTIAL INDOOR	1
3	027429	KNOB ASSEMBLY, OVEN FUNCTION, GAS, RESIDENTIAL INDOOR	1
4	027427	KNOB ASSEMBLY, OVEN TEMP, NON SC, RESIDENTIAL INDOOR	1
5	028127	LED LIGHT, PANEL MOUNT, 120V, 8 mm	1
6	020971	SWITCH, PUSHBUTTON, 19mm, SPST, 5A, 250VAC	1
7	017612	LED MODULE, KNOB LIGHTING	7
8	011857	SERVICE, MS, 8-32 X .375, PH, PAN, SS, PKG 6	1
9	018251	GRATE ASSEMBLY, DUAL, RESIDENTIAL INDOOR	2
10	025945	SERVICE, GRATE, FOOTPAD, PKG 4	1
11	024305	SERVICE, MS, M4 X 5MM, PH, PAN, SS, PKG 6	1
12	018064	DRIP PAN, 365 RANGETOP	1
13	019376	HARNESS, WIRE, RANGETOP/RANGE, 365	1
14	033830	SERVICE, CABLE HOLDER, PUSH IN, 3/8" DIAMETER, PKG. 6	1
15	017784-3	CONTROL PANEL, CHIN, ASSY - 365	1
16	017793	BULLNOSE, RANGETOP, WA - 36	1
17	024263	SERVICE, SMS, #10-24 X .50, HEXWSH, TYPE F, SS, PKG 10	1
18	014390	SERVICE, SCREW, MOUNTING, M5X12, SEALED BURNER, PKG 4	1
19	021578-1	HOSE KIT, DUAL FLOW, RESIDENTIAL INDOOR-FRONT	2
20	021578-2	HOSE KIT, DUAL FLOW, RESIDENTIAL INDOOR-REAR	2
21	014913	HOSE, FLEX, 3/8 OD, 9", F-F, NUT/FERRULE	1
22	046658	SERVICE, ASSY, CONTROL PANEL INSERT, KRG365	1
23	018319	GRATE ASSEMBLY, SINGLE, RESIDENTIAL INDOOR	1

 HESTAN

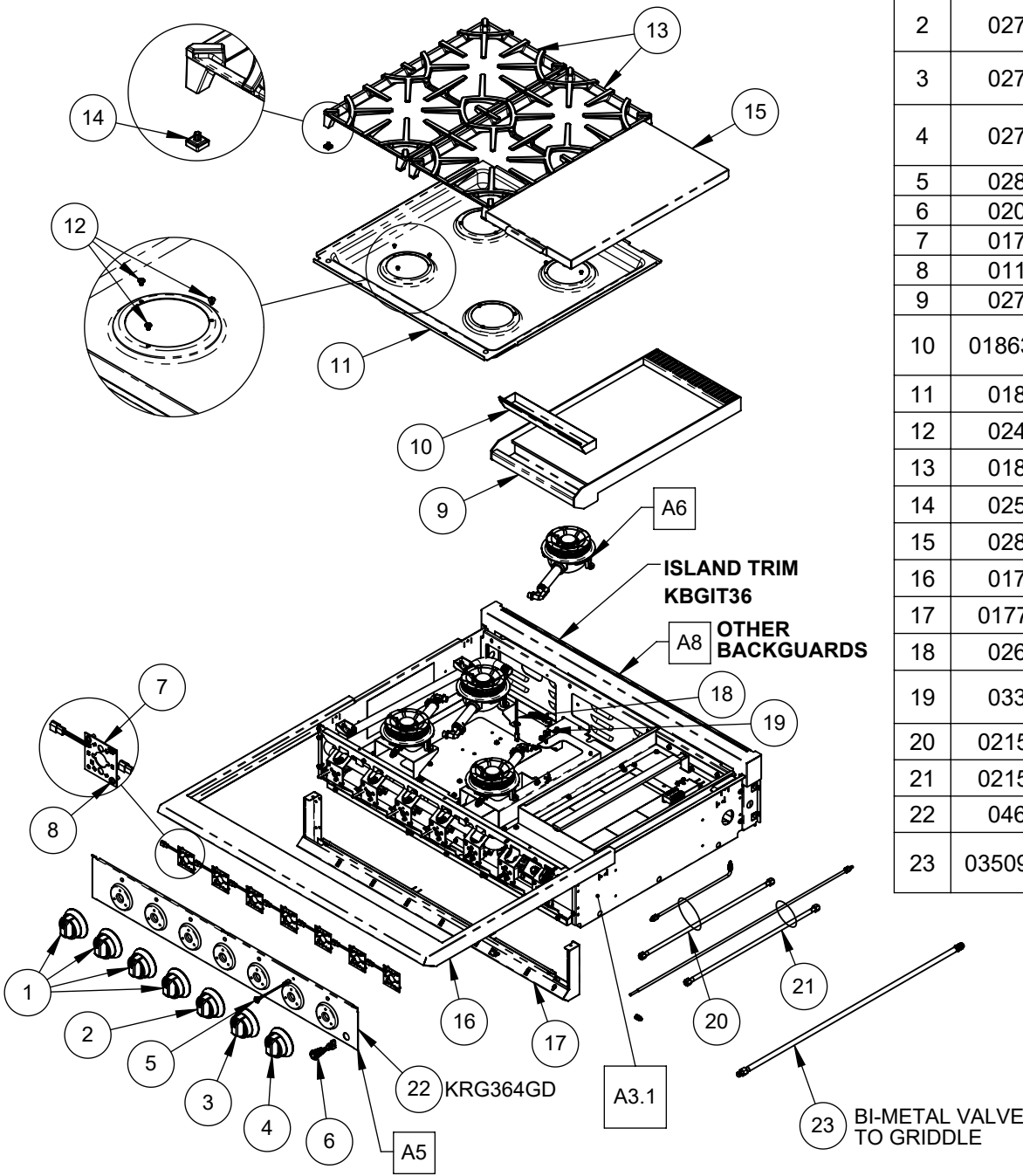
DESCRIPTION	<b>KRG365 TOP</b>
DRAWING NO	<b>A2</b>



ITEM	PART NO.	DESCRIPTION	QTY.
1	017874	CROSSMEMBER, FRONT, FRAME, RANGETOP - 36	1
2	024399	SELECTOR, 8 POSITION, RESIDENTIAL INDOOR	1
3	024398	SELECTOR, 2 POSITION, RESIDENTIAL INDOOR	1
4	011857	SERVICE, MS, 8-32 X .375, PH, PAN, SS, PKG 6	1
5	024263	SERVICE, SMS, #10-24 X .50, HEXWSH, TYPE F, SS, PKG 10	1
6	018884	MANIFOLD, INDOOR, 365 RANGE	1
7	009281	TEE, FEMALE, 1/2 X 1/2 X 1/2 NPT	1
8	002934	ADAPTER, STRAIGHT, 1/2 NPT X 3/8" CC	1
9	024755	HOSE, FLEX, 5/8OD X 1/2MIP X 1/2MIP, 8"	1
10	018882	REGULATOR, STRAIGHT-THRU, 1/2"NPT, CONVERTIBLE, DD-RV48 (5"/10"w.c.)	1
	021649	REGULATOR, STRAIGHT-THRU, 1/2"NPT, CONVERTIBLE, DD-RV48, 5/10, CONVERTED TO LP	1
11	031680	VALVE, DUAL FLOW, RESIDENTIAL INDOOR - NG	1
	031681	VALVE, DUAL FLOW, RESIDENTIAL INDOOR - LP	1
12	024444	SERVICE, GASKET, VALVE, SADDLE MOUNT, PKG 6	1
13	018077	CLAMP, GAS VALVE, RESIDENTIAL INDOOR	5
14	024259	SERVICE, MS, M5 X 0.8 X 18, HEXHD, SS, PKG 5	1
15	018393	SNAP BUSHING, 1.06" MAX ID, BLACK	2
16	032028	MODULE, RE-IGNITER, SINGLE POINT, RI 120F-1, 120V, 3mA	5
17	019412	COVER, OVEN ACCESS, RANGETOP	2
18	020821	HEAT SHIELD, LEFT, INDOOR OVEN	1
19	005862	STRAIN RELIEF, SNAP-IN, 3/4" KNOCKOUT	1
20	019654	COVER, RISER, ISLAND, RESIDENTIAL INDOOR - 36	1
21	019680	REAR COVER, 36" RANGETOP	1
22	033015	RISER, ISLAND, INNER SIDE MOUNT, RESIDENTIAL INDOOR - 36	1
23	010242	SERVICE, SMS, #10-24 X 1/2, PH, PAN, TYPE F, SS, PKG 10	1
24	032936	BRACKET, MOUNTING, RISER, REAR ACCESS, RANGETOP	2
25	019678	LED DRIVER / ISOLATOR BOARD	1
26	024507	SERVICE, STANDOFF, MALE-FEMALE, 1/2"L, #8-32, PKG. 4	1

 **HESTAN**

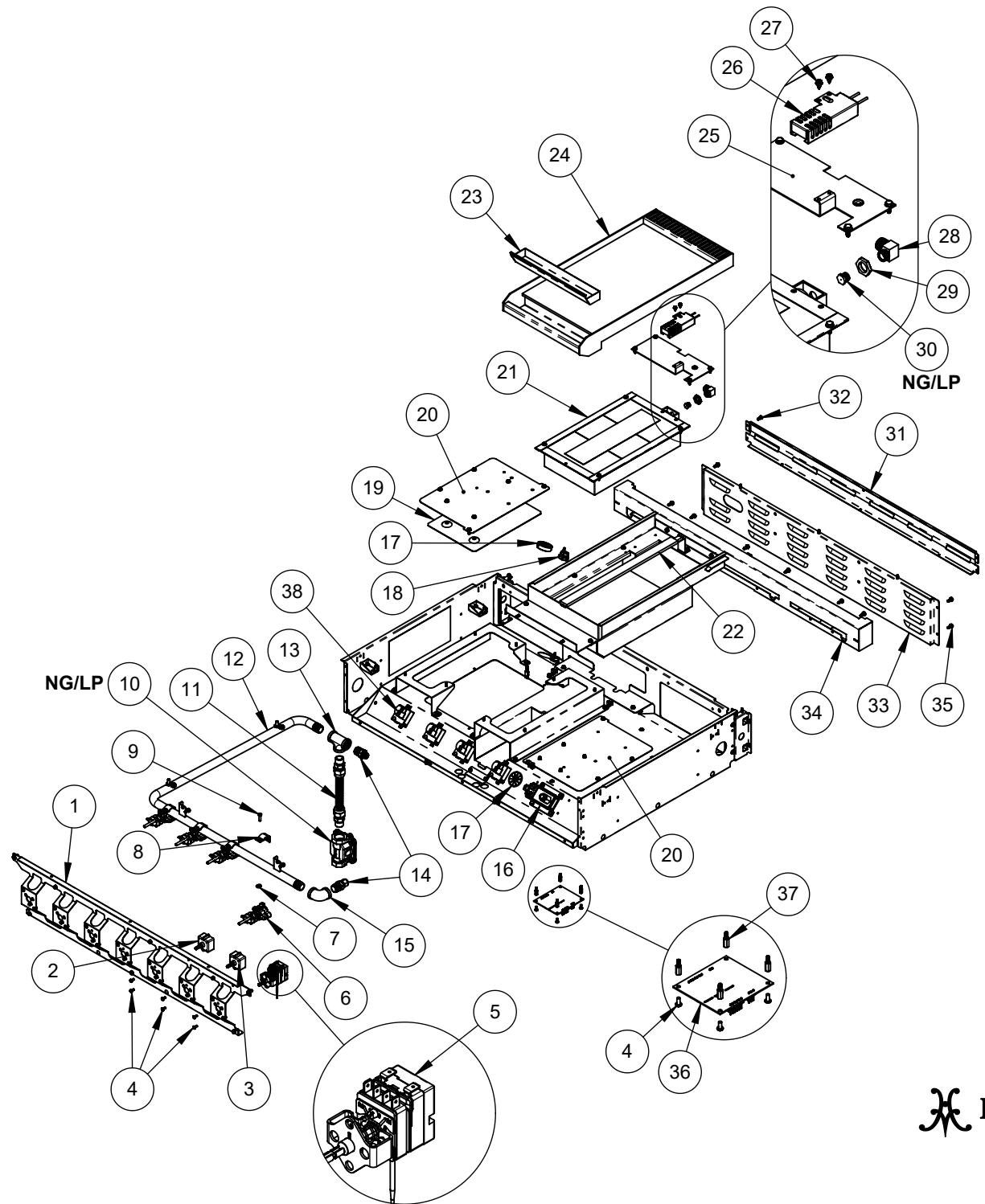
DESCRIPTION	<b>KRG365 TOP</b>
DRAWING NO	<b>A2.1</b>



ITEM	PART NO.	DESCRIPTION	QTY.
1	018170	KNOB ASSEMBLY, MAIN BURNER, RESIDENTIAL INDOOR	4
2	027429	KNOB ASSEMBLY, OVEN FUNCTION, GAS, RESIDENTIAL INDOOR	1
3	027427	KNOB ASSEMBLY, OVEN TEMP, NON SC, RESIDENTIAL INDOOR	1
4	027474	KNOB ASSEMBLY, GRIDDLE TEMP, GAS, RESIDENTIAL INDOOR	1
5	028127	LED LIGHT, PANEL MOUNT, 120V, 8 mm	1
6	020971	SWITCH, PUSHBUTTON, 19mm, SPST, 5A, 250VAC	1
7	017612	LED MODULE, KNOB LIGHTING	7
8	011857	SERVICE, MS, 8-32 X .375, PH, PAN, SS, PKG 6	1
9	027460	GRIDDLE PLATE, RESIDENTIAL INDOOR, WA - 12	1
10	018638-BK	GREASE TRAY, GRIDDLE, RESIDENTIAL INDOOR, TEFLON COATED	1
11	018180	DRIP PAN, 244 RANGETOP	1
12	024305	SERVICE, MS, M4 X 5MM, PH, PAN, SS, PKG 6	1
13	018251	GRATE ASSEMBLY, DUAL, RESIDENTIAL INDOOR	2
14	025945	SERVICE, GRATE, FOOTPAD, PKG 4	1
15	028052	COVER, GRIDDLE, ASSY, RESIDENTIAL INDOOR - 12 GAS	1
16	017793	BULLNOSE, RANGETOP, WA - 36	1
17	017784-4	CONTROL PANEL, CHIN, ASSY - 364	1
18	026362	HARNESS, WIRE, RANGETOP/RANGE, 364GD	1
19	033830	SERVICE, CABLE HOLDER, PUSH IN, 3/8" DIAMETER, PKG. 6	1
20	021578-1	HOSE KIT, DUAL FLOW, RESIDENTIAL INDOOR-FRONT	1
21	021578-2	HOSE KIT, DUAL FLOW, RESIDENTIAL INDOOR-REAR	1
22	046659	SERVICE, ASSY, CONTROL PANEL INSERT, KRG364GD	1
23	035090-030	SERVICE, HOSE, FLEX, 3/8 OD, F-M, NUT/FERRULE TO LOXIT - 30"	1



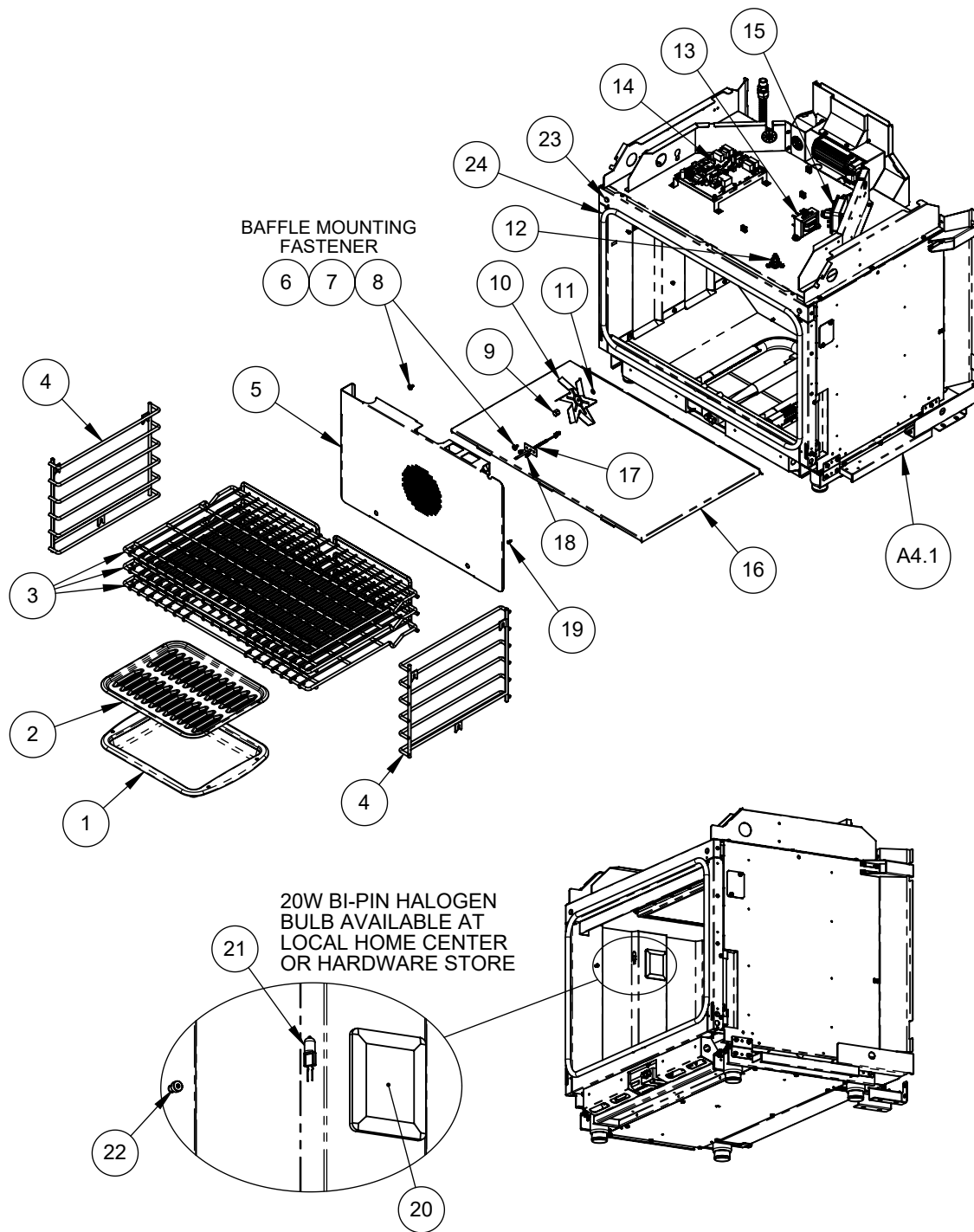
DESCRIPTION	<b>KRG364 TOP</b>
DRAWING NO	<b>A3</b>



ITEM	PART NO.	DESCRIPTION	QTY.
1	017874	CROSSMEMBER, FRONT, FRAME, RANGETOP - 36	1
2	024399	SELECTOR, 8 POSITION, RESIDENTIAL INDOOR	1
3	024398	SELECTOR, 2 POSITION, RESIDENTIAL INDOOR	1
4	011857	SERVICE, MS, 8-32 X .375, PH, PAN, SS, PKG 6	1
5	019530-S	SERVICE, THERMOSTAT ASSEMBLY, GRIDDLE, RESIDENTIAL INDOOR	1
6	031680	VALVE, DUAL FLOW, RESIDENTIAL INDOOR - NG	4
	031681	VALVE, DUAL FLOW, RESIDENTIAL INDOOR - LP	4
7	024444	SERVICE, GASKET, VALVE, SADDLE MOUNT, PKG 6	1
8	018077	CLAMP, GAS VALVE, RESIDENTIAL INDOOR	4
9	024259	SERVICE, MS, M5 X 0.8 X 18, HEXHD, SS, PKG 5	1
10	018882	REGULATOR, STRAIGHT-THRU, 1/2"NPT, CONVERTIBLE, DD-RV48 (5"/10"w.c.)	1
	021649	REGULATOR, STRAIGHT-THRU, 1/2"NPT, CONVERTIBLE, DD-RV48, 5/10, CONVERTED TO LP	1
11	024755	HOSE, FLEX, 5/8OD X 1/2MIP X 1/2MIP, 8"	1
12	019186	MANIFOLD, INDOOR, 364 RANGE	1
13	009281	TEE, FEMALE, 1/2 X 1/2 X 1/2 NPT	1
14	002934	ADAPTER, STRAIGHT, 1/2 NPT X 3/8" CC	2
15	009279	ELBOW, 1/2 NPT	1
16	028060	GAS ASSY, GRIDDLE, 12	1
17	018393	SNAP BUSHING, 1.06" MAX ID, BLACK	2
18	005862	STRAIN RELIEF, SNAP-IN, 3/4" KNOCKOUT	1
19	020821	HEAT SHIELD, LEFT, INDOOR OVEN	1
20	019412	COVER, OVEN ACCESS, RANGETOP	2
21	026719	BURNER, INFRARED, GRIDDLE, RESIDENTIAL INDOOR	1
22	027496	FRONT, FIREBOX, GRIDDLE, WA	1
23	018638-BK	GREASE TRAY, GRIDDLE, RESIDENTIAL INDOOR, TEFLON COATED	1
24	027460	GRIDDLE PLATE, RESIDENTIAL INDOOR, WA - 12	1
25	026849	COVER, TRAY, BURNER, INDOOR RESIDENTIAL	1
26	025100	IGNITER, HOT SURFACE, 3.2 TO 3.6 AMP	1
27	032596	SERVICE, SMS, #8 X 3/8, SLOT, HEXWSH, SS, PKG 6	1
28	002513	ELBOW, ORIFICE, IR BURNER	1
29	008280	NUT, PANEL, 3/8" NPS	1
30	002865-050	ORIFICE, SPUD - #50 NG	1
	002865-056	ORIFICE, SPUD - #56 LP	1
31	019654	COVER, RISER, ISLAND, RESIDENTIAL INDOOR - 36	1
32	010242	SERVICE, SMS, #10-24 X 1/2, PH, PAN, TYPE F, SS, PKG 10	1
33	019680	REAR COVER, 36" RANGETOP	1
34	033015	RISER, ISLAND, INNER SIDE MOUNT, RESIDENTIAL INDOOR - 36	1
35	024263	SERVICE, SMS, #10-24 X .50, HEXWSH, TYPE F, SS, PKG 10	1
36	019678	LED DRIVER / ISOLATOR BOARD	1
37	024507	SERVICE, STANDOFF, MALE-FEMALE, 1/2"L, #8-32, PKG. 4	1
38	032028	MODULE, RE-IGNITER, SINGLE POINT, RI 120F-1, 120V, 3mA	4

**HESTAN**

DESCRIPTION	<b>KRG364 TOP</b>
DRAWING NO	<b>A3.1</b>



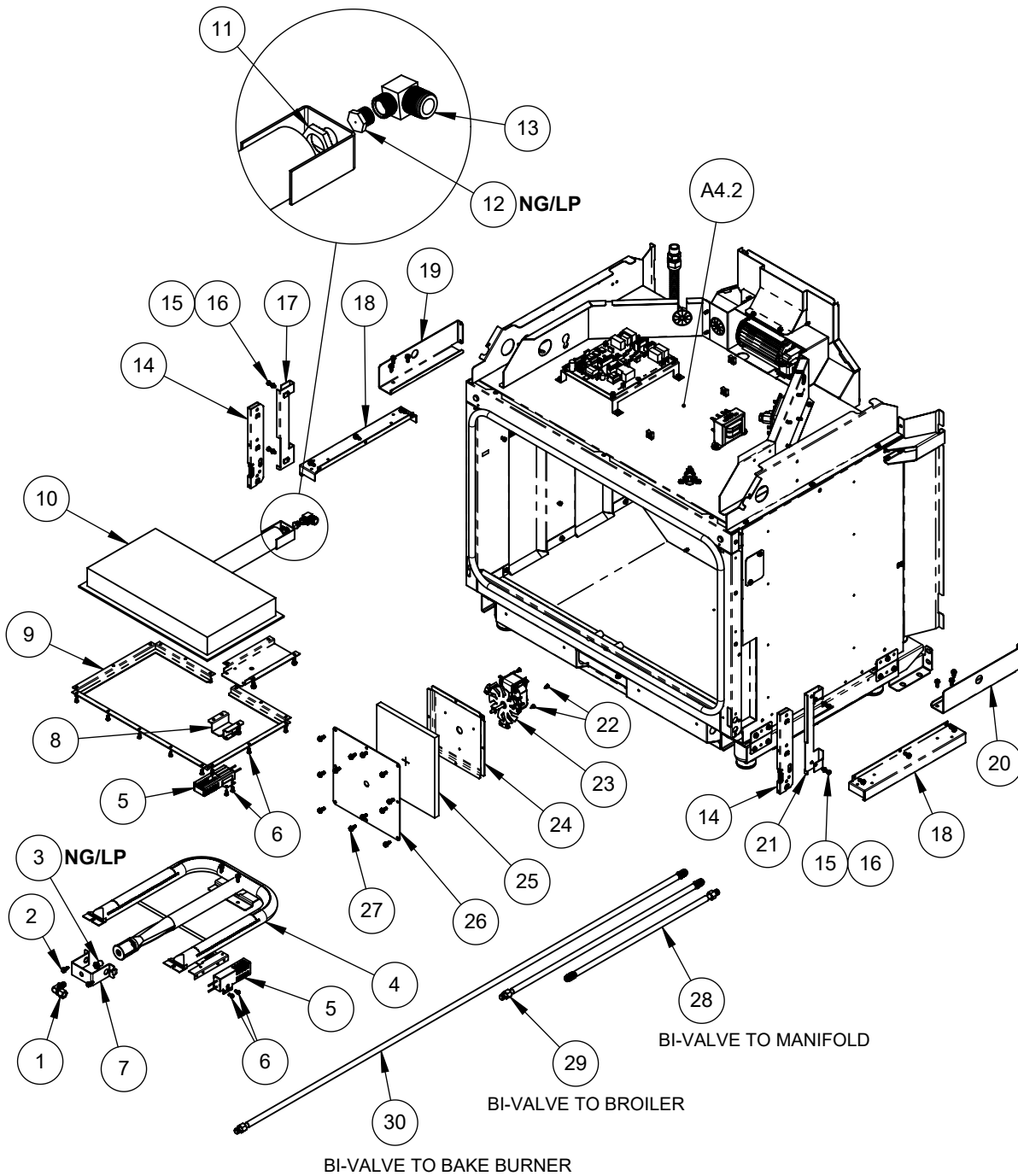
ITEM	PART NO.	DESCRIPTION	QTY
A4.1	-	KRG36X OVEN (SEE SUB-ASSY FOR MORE PARTS BREAKDOWN)	-
1	007648	PAN, DRIP, ACCESSORY, GRILL	1
2	019010	INSERT, BROILER PAN, INDOOR RANGE	1
3	024245	RACK, NO SLIDES, INDOOR OVEN, 36"	3
4	018230	RACK, LADDER, LH & RH, RANGE, W/A	2
5	017886-BK	BAFFLE, CONVECTION, PORCELAINED, 36" RANGE	1
6	021173	SMS, #8-32 X 1/2, FLT, PH, TYPE F, SS	2
7	021171	WSH, C'SUNK, #8, SS	2
8	021172	WSH, FLAT, #8 (.169 X .304 X .032), SS	8
9	017918	NUT, HEX, 1/4-28, CONV. FAN, RANGE	1
10	017917	BLADE, CONV FAN, 152mm	1
11	018860	WASHER, FLAT, M6	1
12	018024	SWITCH, HI-LIMIT	1
13	032239	TRANSFORMER, 40VA, 120VAC TO 12/24V, CLASS 2	1
14	027007	RELAY BOARD, ELAN, EOC-U DEPOP	1
15	036354	GAS ASSY, DOUBLE, ALL-GAS OVEN	1
16	027129-BK	BOTTOM, COVER, FLAME SPREADER - BLACK	1
17	018092	RTD PROBE, W/FLANGE, AMP CONNECTOR	1
18	024256	SERVICE, SMS, #8 X 1/2, PH, ROUND, BLK-OXIDE, SS, PKG 4	1
19	011852	SERVICE, SMS, #8-32 X 3/8, PH, PAN, TYPE F, SS, PKG 4	1
20	024352	SERVICE, LENS, LAMP, HALOGEN, 12V, 20W, 60 X 80 mm	1
21	018142	SERVICE, BULB, HALOGEN, G4 BI-PIN, 20W, PKG 2	1
22	017446	SERVICE, SB, #8-32 X 3/16 DIA X 1/4L, SS, PKG 2	1
23	010197	SERVICE, BUMPER, RUBBER, .50 DIAM. X .250 H, PKG 4	1
24	015484	GASKET ASSY, CELL, OVEN, 36" RANGE	1

 HESTAN

DESCRIPTION	<b>KRG36X OVEN</b>
DRAWING NO	<b>A4</b>

KRG36X-SERVICE\_OVEN ASSY



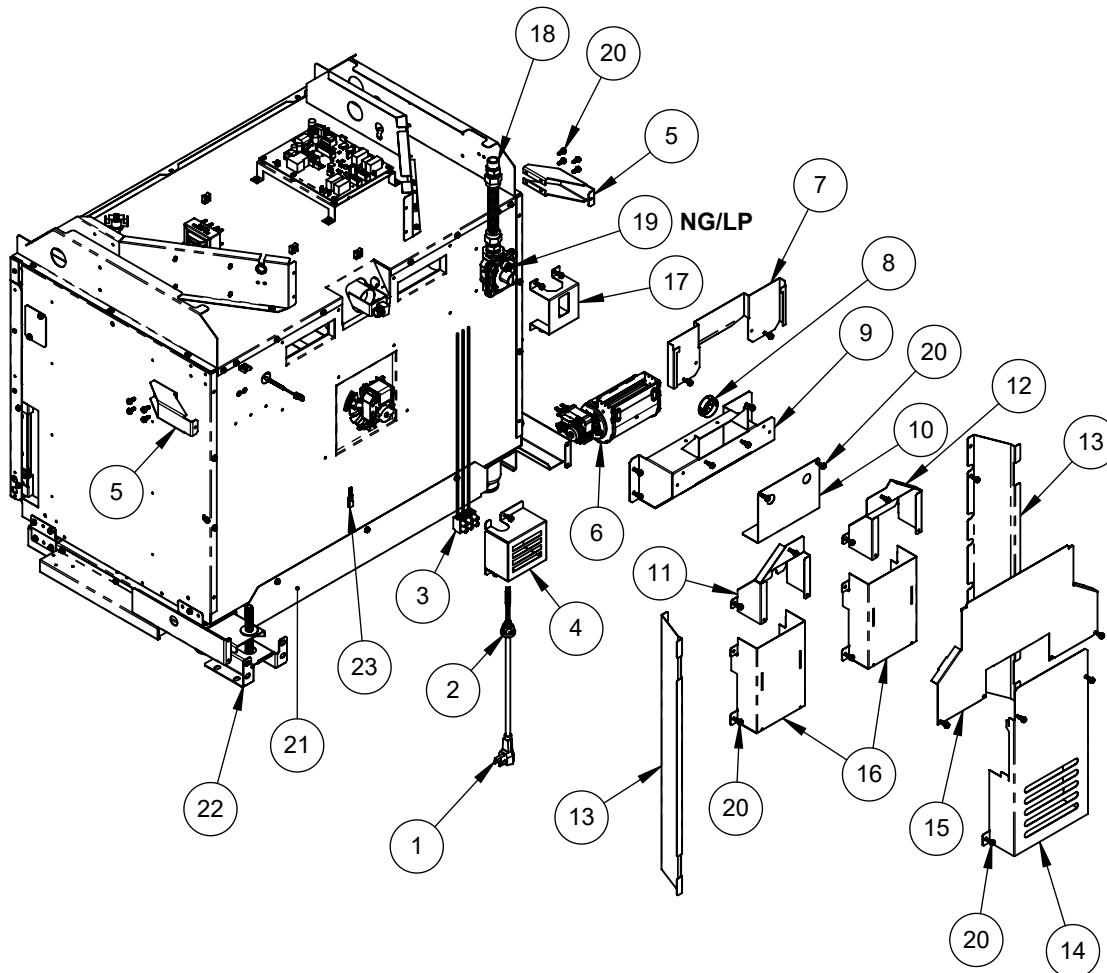


ITEM	PART NO.	DESCRIPTION	QTY
A4.2	-	KRG36X OVEN (SEE SUB-ASSY FOR MORE PARTS BREAKDOWN)	-
1	000917	HOLDER, ORIFICE, BULKHEAD, SMALL	1
2	024263	SERVICE, SMS, #10-24 X .50, HEXWSH, TYPE F, SS,PKG 10	1
3	000293-037	ORIFICE, HOOD, #37, NG	1
	000293-052	ORIFICE, HOOD, #52, LP	1
4	024320	BURNER, U STYLE	1
5	025100	IGNITER, HOT SURFACE, 3.2 TO 3.6 AMP	2
6	011852	SERVICE, SMS, #8-32 X 3/8, PH, PAN, TYPE F, SS, PKG 4	2
7	000372	ORIFICE HOLDER, OVEN	1
8	032959	BRACKET, MOUNTING, HSI, BROIL	1
9	024376	BRACKET, MOUNTING, BROIL BURNER, 36 GAS OVEN	1
10	022795	BURNER, IR, BROILER, RESIDENTIAL INDOOR	1
11	008280	NUT, PANEL, 3/8" NPS	1
12	002865-047	ORIFICE, SPUD, #47, NG	1
	002865-055	ORIFICE, SPUD, #55, LP	1
13	02513	ELBOW, ORIFICE, IR BURNER	1
14	015856-03	RECEIVER, STANDARD, 36" RANGE	2
15	024257	SERVICE, MS, 10-32 X 3/4", HEX, ZINC PLATED, STL, PKG 4	1
16	024242	SERVICE, WSH, FLAT, #10 (.203 X .375 X .020), BLK-OXIDE, 18-8 SS, PKG 6	1
17	015591	ASSY, WELDMENT, HOLDER, HINGE, LEFT, 36" RANGE	1
18	017778	SPACER, BOTTOM, PANEL, SIDE, 36" RANGE	2
19	017780	SUPPORT, PANEL, SIDE, LEFT, LOWER, 36" RANGE	1
20	017779	SUPPORT, PANEL, SIDE, RIGHT, LOWER, 36" RANGE	1
21	015588	ASSY, WELDMENT, HOLDER, HINGE, RIGHT, 36" RANGE	1
22	015410	SERVICE, SMS, #8 X 3/8, PH, PAN, SS, PKG 10	1
23	015530	FAN, CONVECTION, 36" RANGE	1
24	024353	PLATE, MOUNTING, CONVECTION FAN MOTOR, 36" GAS RANGE	1
25	018337	INSULATION, REAR, CONV. FAN, 1/2" THK, 36" RANGE	1
26	024354-BK	PLATE, MOUNTING, CONVECTION FAN, RANGE, GAS - BLACK	1
27	024263	SERVICE, SMS, #10-24 X .50, HEXWSH, TYPE F, SS, PKG 10	1
28	035090-018	SERVICE, HOSE, FLEX, 3/8 OD, F-M, NUT/FERRULE TO LOXIT - 18"	1
29	035090-024	SERVICE, HOSE, FLEX, 3/8 OD, F-M, NUT/FERRULE TO LOXIT - 24"	1
30	035090-054	SERVICE, HOSE, FLEX, 3/8 OD, F-M, NUT/FERRULE TO LOXIT - 54"	1

 HESTAN

DESCRIPTION	<b>KRG36X OVEN</b>
DRAWING NO	<b>A4.1</b>

KRG36X-SERVICE\_OVEN ASSY

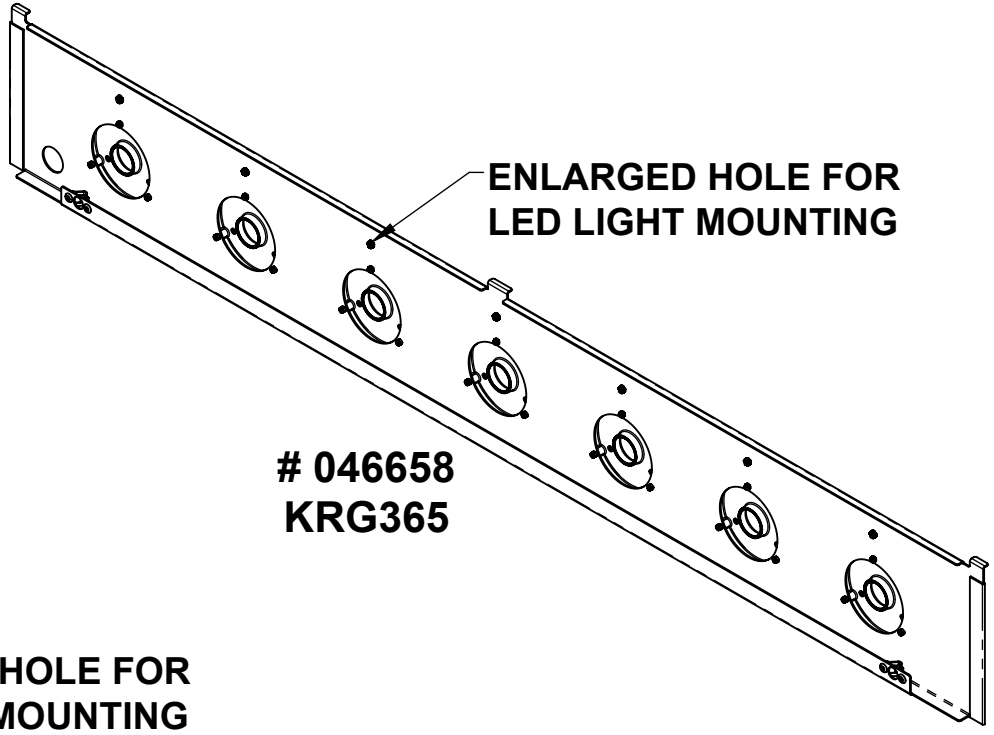


ITEM	PART NO.	DESCRIPTION	QTY
1	026443	CORD, POWER, 6 FT, 15A, 3/14 AWG, SJTW	1
2	005862	STRAIN RELIEF, SNAP-IN, 3/4" KNOCKOUT	1
3	026152	HARNESS, WIRE, MAIN, 36" ALL GAS RANGE	1
4	029872	COVER, RTD PROBE - 30" GAS	1
5	017781	SUPPORT, PANEL, SIDE, UPPER, 36" RANGE	2
6	024498	FAN, COOLING, RANGE, SMALL	1
7	024761	SHIELD, EXHAUST, 36 GAS OVEN	1
8	018393	SNAP BUSHING, 1.06" MAX ID, BLACK	1
9	026418	ENCLOSURE, COOLING FAN, GAS RANGE	1
10	027783	COVER, EXHAUST, COOLING FAN - GAS OVEN	1
11	026390	COVER, LH, ACCESS, COOLING FAN, GAS RANGE	1
12	026665	COVER, RH, ACCESS, COOLING FAN, GAS RANGE	1
13	019373	REAR COVER, LH, 36" RANGE	2
14	024782	COVER, INLET, BROIL BURNER, 36 GAS RANGE	1
15	024752	FLUE COVER, COMBINED, 36 GAS OVEN	1
16	024482	COVER, FLUE, GAS RANGE, 36"	2
17	029706	BRACKET, REGULATOR, RANGES	1
18	024755	HOSE, FLEX, 5/8OD X 1/2MIP X 1/2MIP, 8"	1
19	018882	REGULATOR, STRAIGHT-THRU, 1/2"NPT, CONVERTIBLE, DD-RV48 (5"/10"w.c.)	1
	021649	REGULATOR, STRAIGHT-THRU, 1/2"NPT, CONVERTIBLE, DD-RV48, 5/10, CONVERTED TO LP	1
20	024263	SERVICE, SMS, #10-24 X .50, HEXWSH, TYPE F, SS, PKG 10	1
21	032589	COVER, REAR, CASE LOWER, 36" OVEN - GAS	1
22	029078	ANTI-TIP BRACKET, SMALL, INDOOR RANGE	1
23	035222	HARNESS, WIRE, OVEN TO RANGETOP, RANGE, 30"/36" (VV-1/FT1)	1

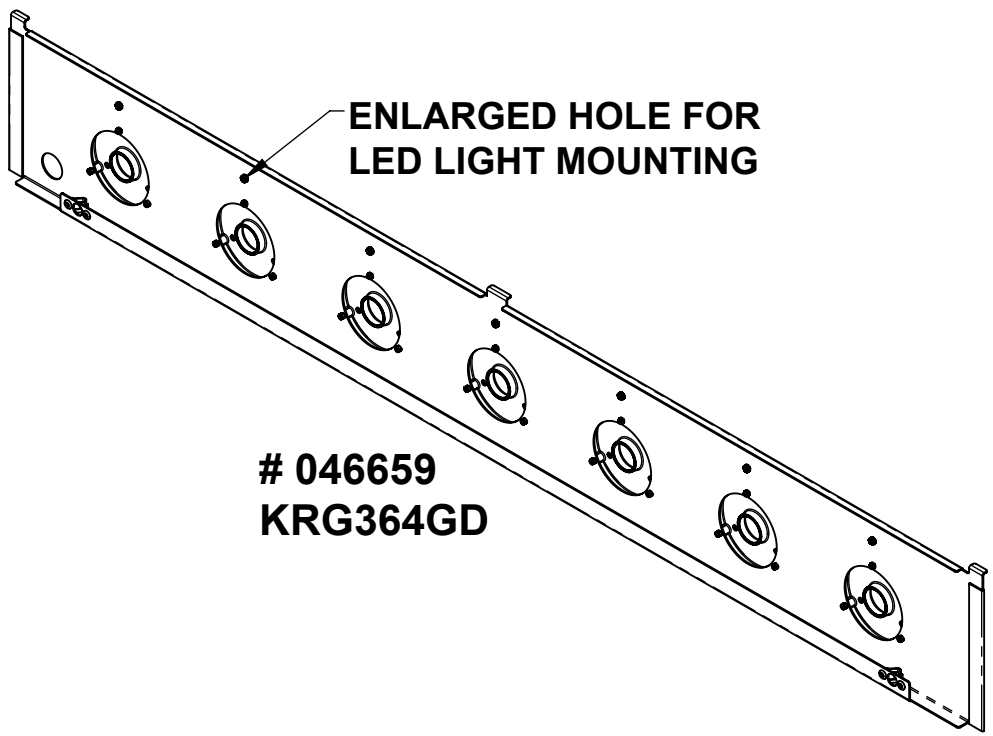
 HESTAN

DESCRIPTION	<b>KRG36X OVEN</b>
DRAWING NO	
<b>A4.2</b>	

KRG36X-SERVICE\_OVEN ASSY



# 046658  
KRG365



# 046659  
KRG364GD

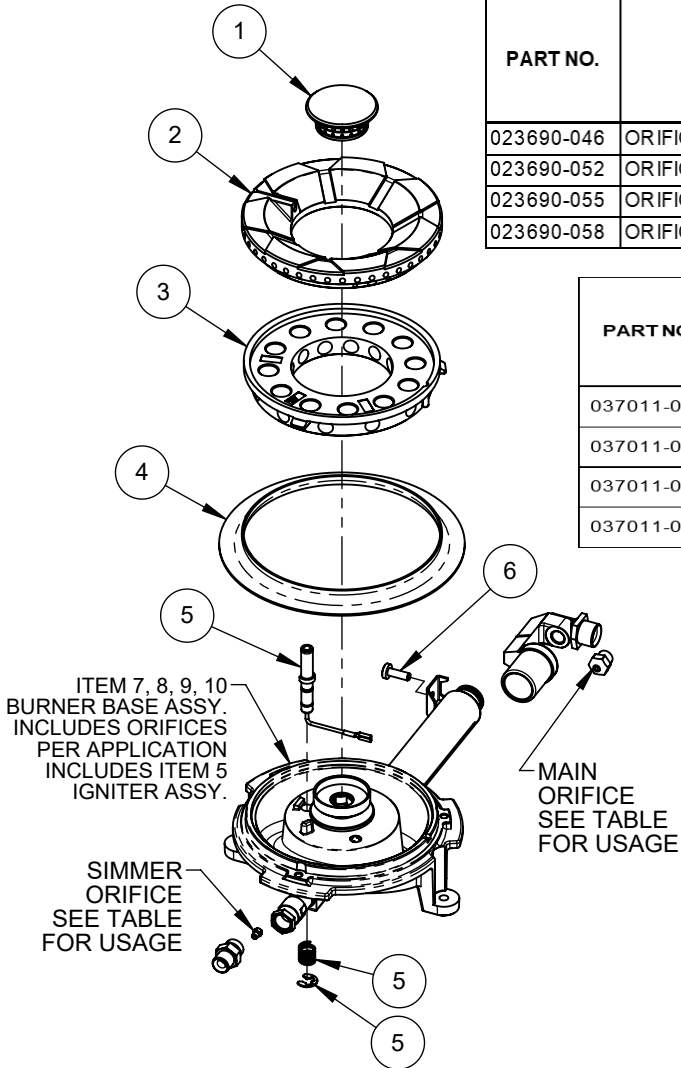


DESCRIPTION	<b>SERVICE, ASSY, CONTROL PANEL INSERT, 36" RANGE</b>
DRAWING NO	<b>A5</b>

PART NO.	SIMMER ORIFICES	Z (IN)	Z (MM)	STAMP	COLOR CODE	15.5k Dual Flow BURNER		23k Dual Flow BURNER	
						NG	LP	NG	LP
023698-073	ORIFICE, SIMMER, DUAL FLOW BURNER, INDOOR, #73	0.024	0.61	V	BLACK	X		X	
023698-078	ORIFICE, SIMMER, DUAL FLOW BURNER, INDOOR, #78	0.016	0.41	T	RED		X		X

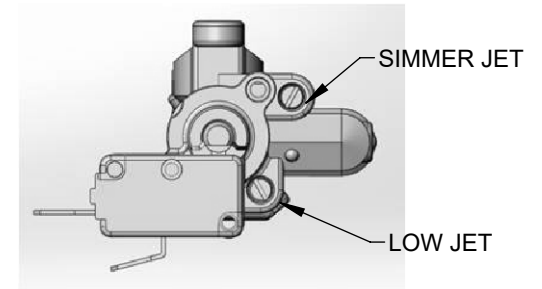
PART NO.	MAIN ORIFICES	Z (IN)	Z (MM)	STAMP	COLOR CODE	15.5k Dual Flow BURNER		23k Dual Flow BURNER	
						NG	LP	NG	LP
023690-046	ORIFICE, MAIN, DUAL FLOW BURNER, INDOOR, #46	0.081	2.05	-	YELLOW, BLACK			X	
023690-052	ORIFICE, MAIN, DUAL FLOW BURNER, INDOOR, #52	0.064	1.60	-	WHITE, BLACK	X			
023690-055	ORIFICE, MAIN, DUAL FLOW BURNER, INDOOR, #55	0.052	1.32	-	YELLOW, RED				X
023690-058	ORIFICE, MAIN, DUAL FLOW BURNER, INDOOR, #58	0.042	1.07	-	WHITE, RED		X		

PART NO.	VALVE ORIFICES (JETS)	Z (IN)	Z (MM)	COLOR CODE (COPRECI)	COLOR CODE (ISPHORDING)	Dual Flow VALVE Low Orifice		Dual Flow VALVE Simmer Orifice	
						NG	LP	NG	LP
037011-065	KIT, ORIFICE, VALVE, INDOOR, #65	0.035	0.88	-	BLACK	X			
037011-073	KIT, ORIFICE, VALVE, INDOOR, #73	0.024	0.61	-	RED		X		
037011-080	KIT, ORIFICE, VALVE, INDOOR, #80	0.0135	0.34	-	YELLOW			X	
037011-087	KIT, ORIFICE, VALVE, INDOOR, #87	0.010	0.25	-	WHITE				X



**DUAL BURNER ASSY.**

ITEM NO.	PART NO.	DESCRIPTION	QTY.
1	018436	D-INNER BURNER HEAD, DUAL FLOW, RESIDENTIAL INDOOR	1
2	018419	D-DUAL BURNER HEAD, DUAL FLOW, RESIDENTIAL INDOOR	1
3	018418	D-CROSS RING, DUAL FLOW, RESIDENTIAL INDOOR	1
4	018421	D-BEAUTY RING, DUAL FLOW, RESIDENTIAL INDOOR	1
5	024189	SERVICE, IGNITOR KIT, DUAL FLOW BURNER	1
6	024244	SERVICE, MS, M4 X 12, SEALED BURNER, PKG 4	1
7	020399	BURNER BASE ASSY, DUAL FLOW, 23K - NG	2
8	020401	BURNER BASE ASSY, DUAL FLOW, 23K - LP	2
9	020400	BURNER BASE ASSY, DUAL FLOW, 15.5K - NG	2
10	020402	BURNER BASE ASSY, DUAL FLOW, 15.5K - LP	2



**HESTAN**

**SERVICE, DUAL FLOW BURNER ASSY.**

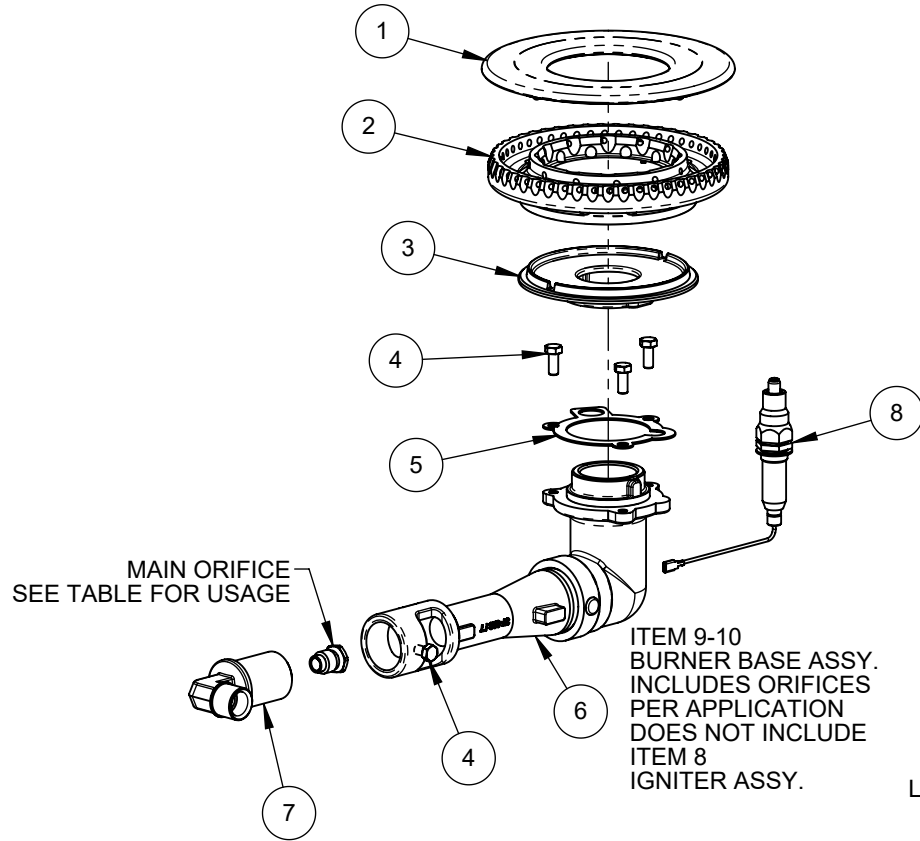
**A6**

DESCRIPTION

DRAWING NO

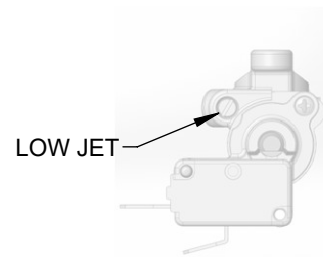
PART NO.	MAIN ORIFICES	Z (IN)	Z (MM)	STAMP	COLOR CODE	30k Single Flow BURNER	
						NG	LP
002039	ORIFICE, MAIN, SINGLE FLOW BURNER, #42, NG	0.0935	2.375	42	-	X	
004925	ORIFICE, MAIN, SINGLE FLOW BURNER, #54, LP	0.055	1.397	54	-		X

PART NO.	VALVE ORIFICES (JETS)	Z (IN)	Z (MM)	COLOR CODE (COPRECI)	COLOR CODE (ISPHORDING)	Single Flow VALVE Low Orifice	
						NG	LP
037011-062	KIT, ORIFICE, VALVE, INDOOR, #62	0.038	0.97	-	ORANGE	X	
037011-073	KIT, ORIFICE, VALVE, INDOOR, #73	0.024	0.61	-	RED		X



**SINGLE-FLOW BURNER ASSY.**

ITEM NO.	PART NO.	DESCRIPTION	QTY.
1	002058	BURNER RING, SEALED BURNER, SF	1
2	002055	HEAD, BURNER, SEALED BURNER, SF	1
3	002057	BURNER BASE, SEALED BURNER, SF	1
4	014390	SERVICE, SCREW, MOUNTING, M5X12, SEALED BURNER, PKG 4	1
5	002056	GASKET, MAIN, SEALED BURNER, SF	1
6	010662	ELBOW, SINGLE FLOW, FRONT, ASSY	1
7	002048	JET HOLDER, MAIN, SEALED BURNER, SF/DF	1
8	024190	SERVICE, IGNITER KIT, SEALED BURNER, SINGLE FLOW	1
9	028517	BURNER BASE ASSY, SINGLE FLOW, SEALED BURNER - NG	1
10	028518	BURNER BASE ASSY, SINGLE FLOW, SEALED BURNER - LP	1



**SINGLE-FLOW VALVE**



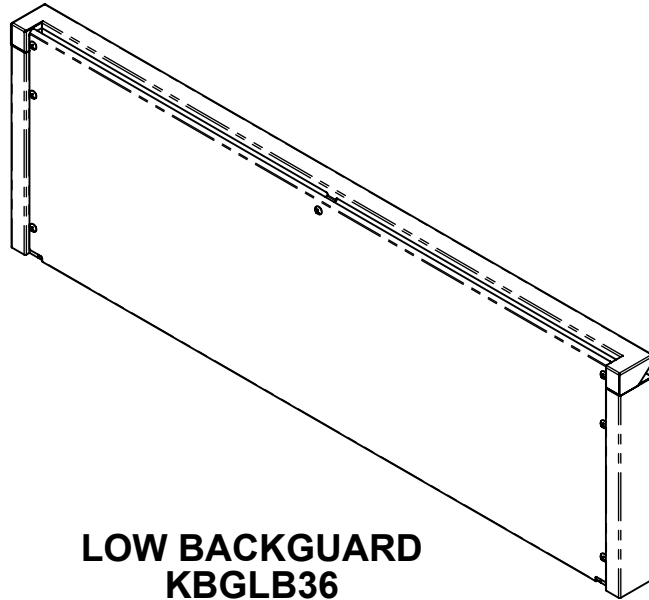
**SERVICE, SINGLE FLOW  
BURNER ASSY.**

DESCRIPTION

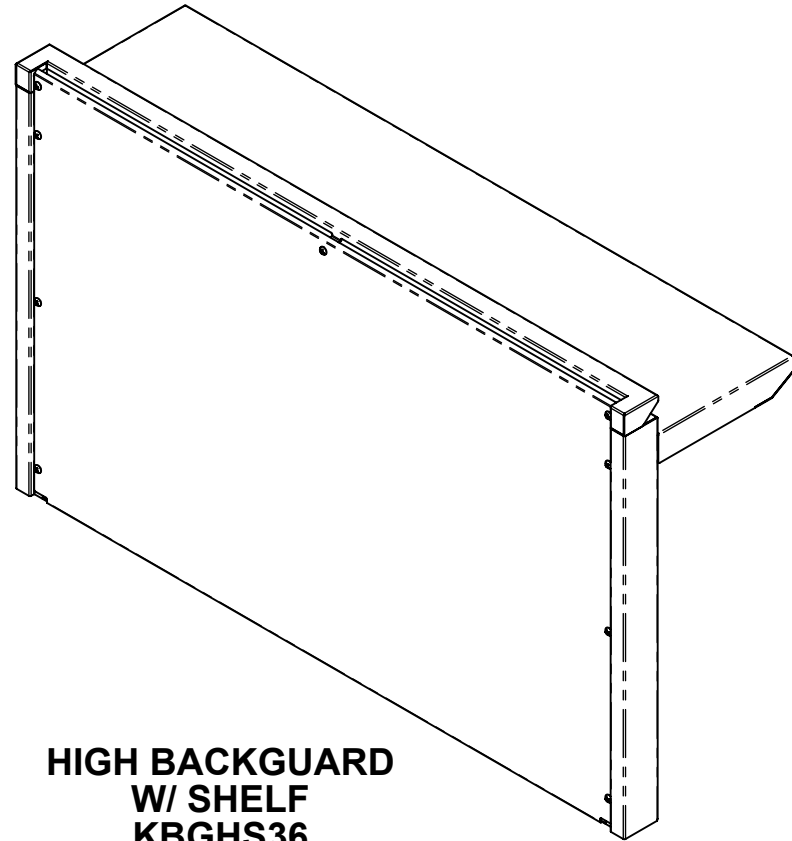
---

DRAWING NO

**A7**



**LOW BACKGUARD  
KBGLB36**



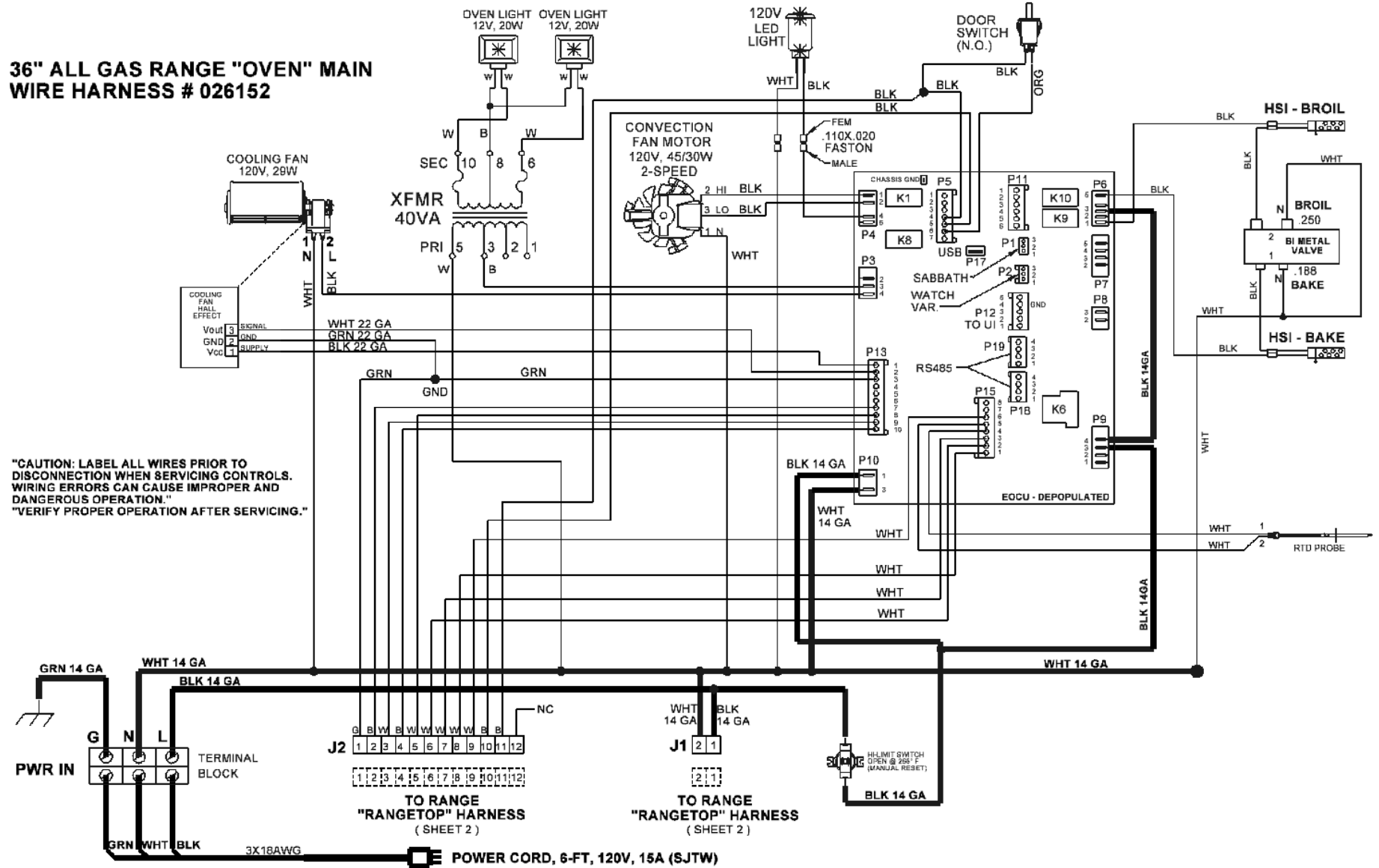
**HIGH BACKGUARD  
W/ SHELF  
KBGHS36**

 **HESTAN**

DESCRIPTION	<b>SERVICE, OTHER BACKGUARDS - 36"</b>
DRAWING NO	<b>A8</b>

**36" ALL GAS RANGE "OVEN" MAIN WIRE HARNESS # 026152**

"CAUTION: LABEL ALL WIRES PRIOR TO DISCONNECTION WHEN SERVICING CONTROLS. WIRING ERRORS CAN CAUSE IMPROPER AND DANGEROUS OPERATION." "VERIFY PROPER OPERATION AFTER SERVICING."



**WIRING DIAGRAM, KRG365 ALL-GAS 025647**



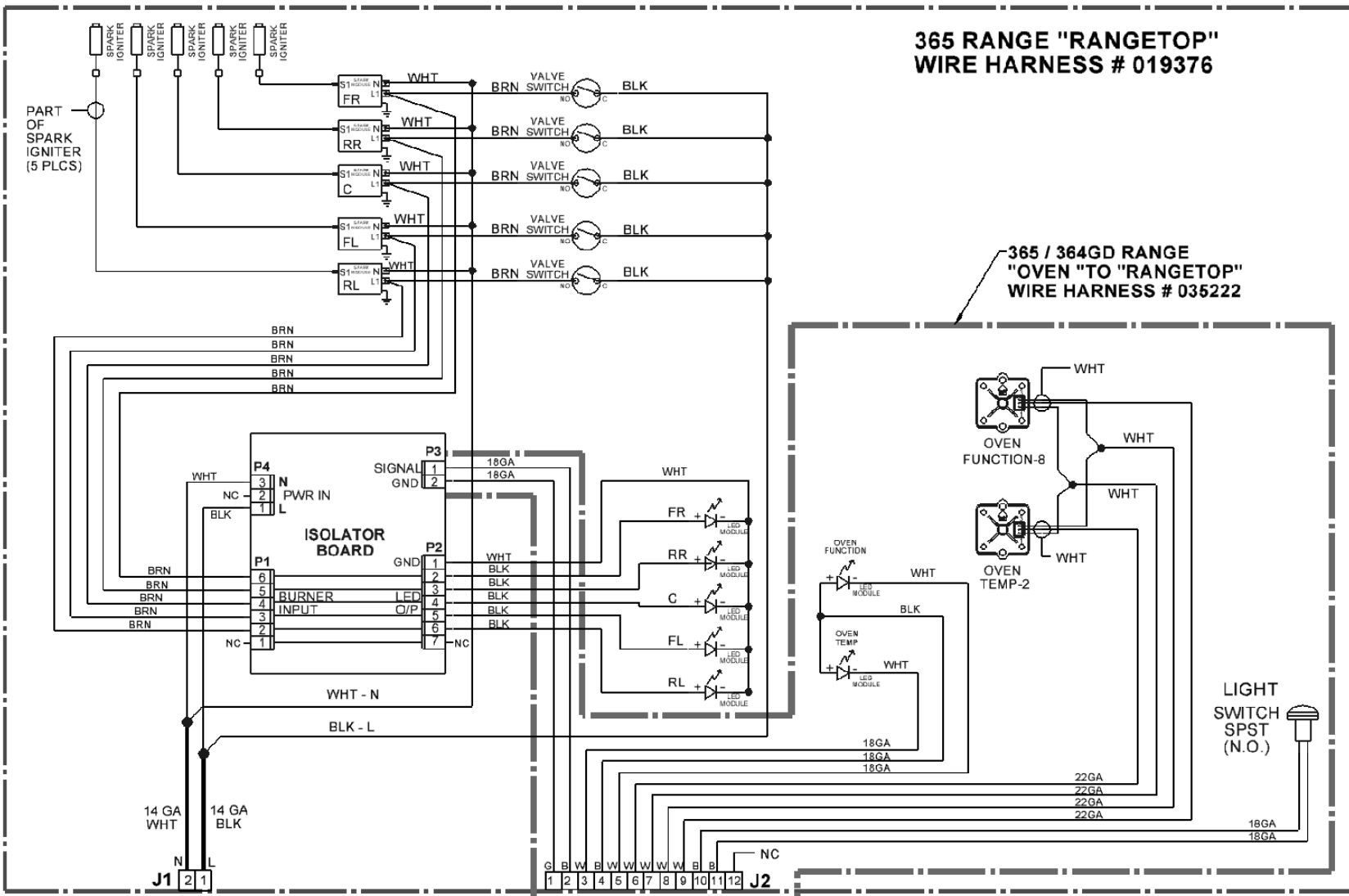
PROPRIETARY  
NO PART OF THIS DOCUMENT MAY BE REPRODUCED, STORED IN A RETRIEVAL SYSTEM, OR TRANSMITTED IN ANY FORM, WITHOUT THE WRITTEN PERMISSION OF Hestan Commercial Corporation. THIS DOCUMENT OR ANY COPIES SHALL BE RETURNED UPON WRITTEN REQUEST.

DESCRIPTION  
**SERVICE - RANGE, 4 OR 5 BURNER, ALL-GAS, 36"**

DRAWING NO  
**KRG36X-SERVICE**

REVISION  
**E**  
SHEET NO.  
14 OF 18

6 5 4 3 2 1



RANGE: FROM RANGE "OVEN" HARNESS  
RANGETOP: 120V POWER  
( SHEET 1 )

FROM RANGE "OVEN" HARNESS  
( SHEET 1 )

**WIRING DIAGRAM, KRG365 ALL-GAS  
025647**



PROPRIETARY  
NO PART OF THIS DOCUMENT MAY BE REPRODUCED,  
STORED IN A RETRIEVAL SYSTEM, OR TRANSMITTED IN  
ANY FORM, WITHOUT THE WRITTEN PERMISSION OF  
Hestan Commercial Corporation. THIS DOCUMENT OR ANY  
COPIES SHALL BE RETURNED UPON WRITTEN REQUEST.

DESCRIPTION  
**SERVICE - RANGE, 4 OR 5 BURNER, ALL-  
GAS, 36"**

DRAWING NO  
**KRG36X-SERVICE**

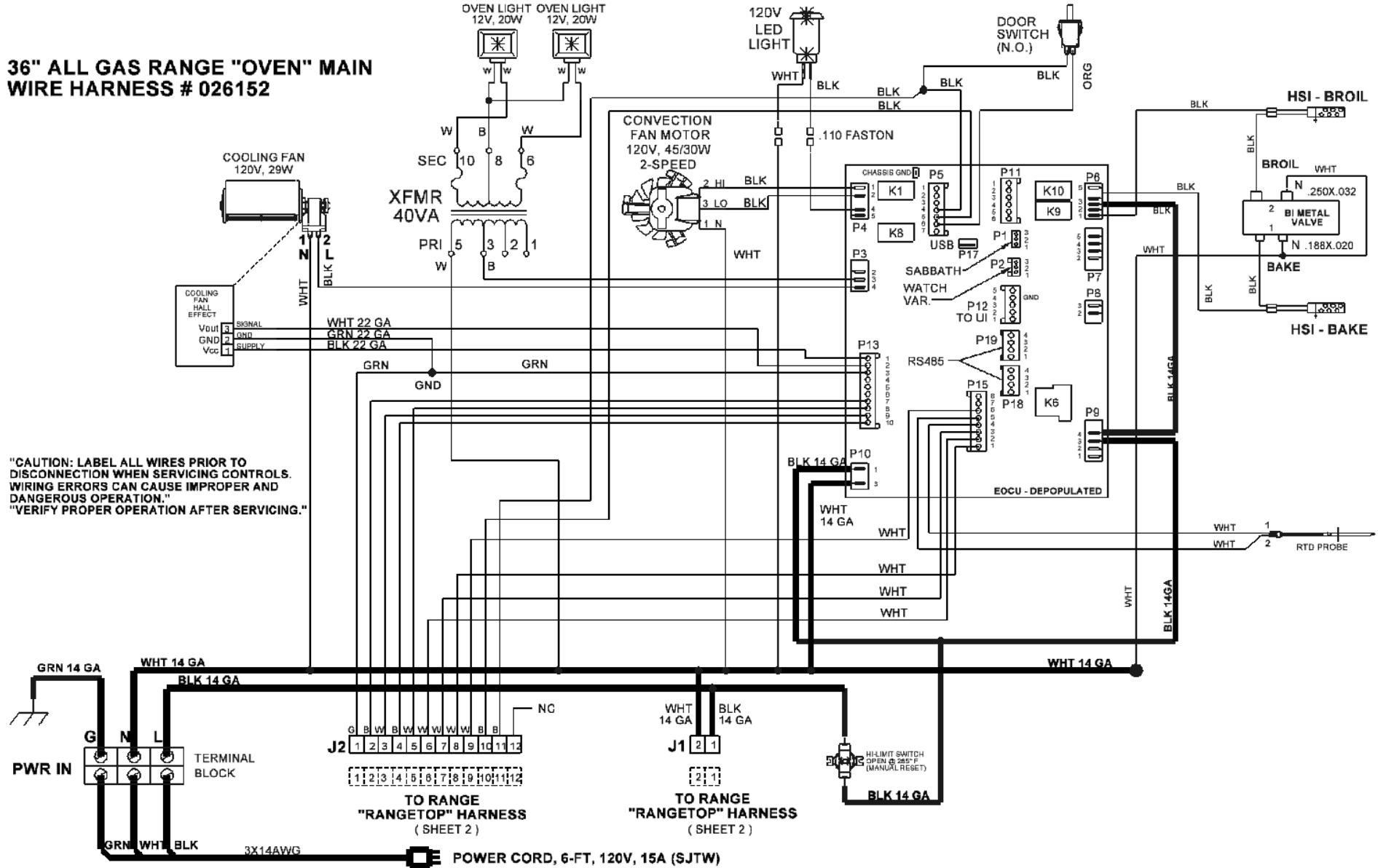
REVISION  
**E**  
SHEET NO.  
15 OF 18

6 5 4 3 2 1



**36" ALL GAS RANGE "OVEN" MAIN WIRE HARNESS # 026152**

"CAUTION: LABEL ALL WIRES PRIOR TO DISCONNECTION WHEN SERVICING CONTROLS. WIRING ERRORS CAN CAUSE IMPROPER AND DANGEROUS OPERATION."  
"VERIFY PROPER OPERATION AFTER SERVICING."



**WIRING DIAGRAM, KRG364GD ALL-GAS 026200**



PROPRIETARY  
NO PART OF THIS DOCUMENT MAY BE REPRODUCED, STORED IN A RETRIEVAL SYSTEM, OR TRANSMITTED IN ANY FORM, WITHOUT THE WRITTEN PERMISSION OF Hestan Commercial Corporation. THIS DOCUMENT OR ANY COPIES SHALL BE RETURNED UPON WRITTEN REQUEST.

DESCRIPTION

**SERVICE - RANGE, 4 OR 5 BURNER, ALL-GAS, 36"**

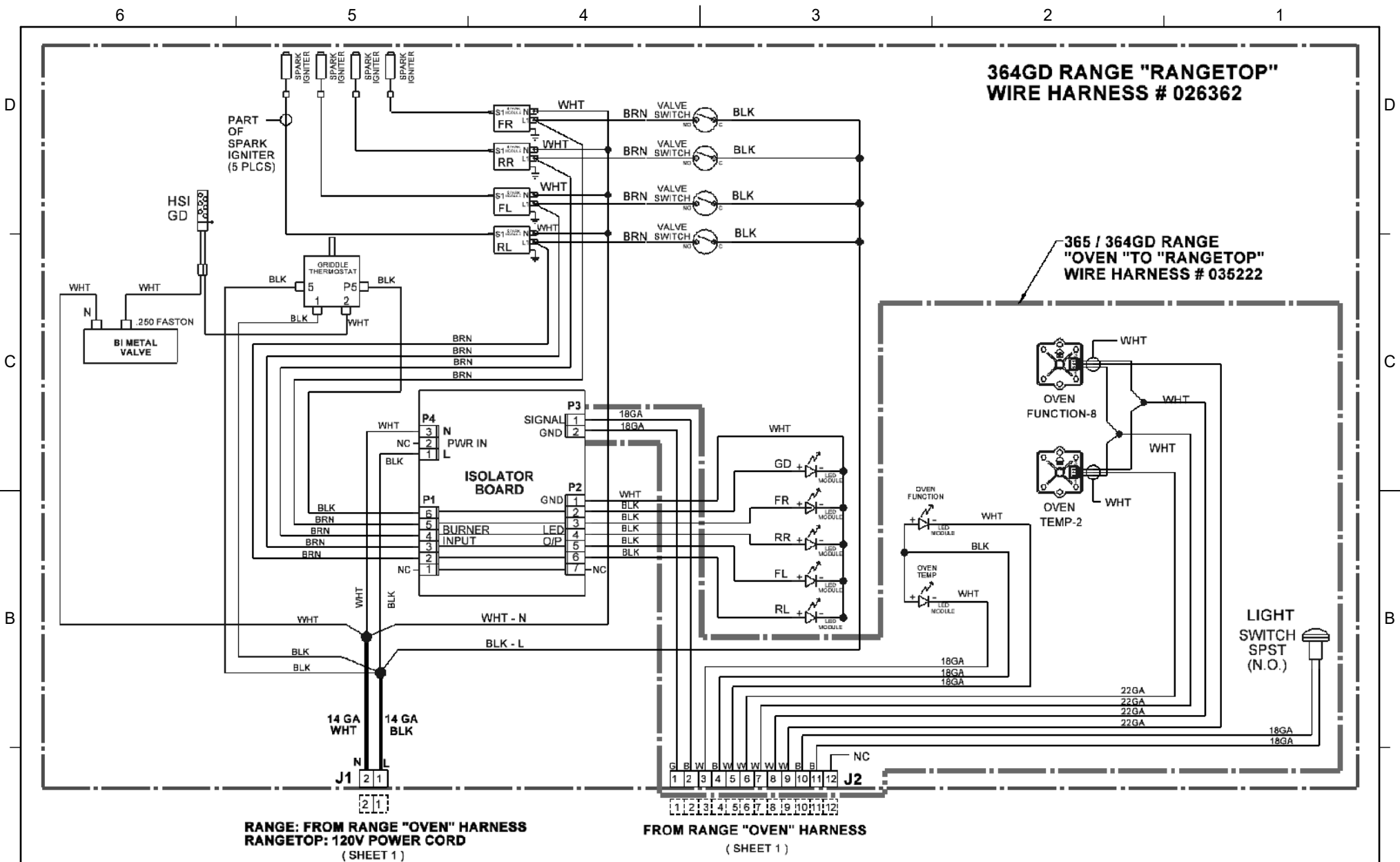
DRAWING NO

**KRG36X-SERVICE**

REVISION

**E**

SHEET NO.  
**16 OF 18**



**WIRING DIAGRAM, KRG364GD ALL-GAS  
026200**



PROPRIETARY  
NO PART OF THIS DOCUMENT MAY BE REPRODUCED,  
STORED IN A RETRIEVAL SYSTEM, OR TRANSMITTED IN  
ANY FORM, WITHOUT THE WRITTEN PERMISSION OF  
Hestan Commercial Corporation. THIS DOCUMENT OR ANY  
COPIES SHALL BE RETURNED UPON WRITTEN REQUEST.

DESCRIPTION  
**SERVICE - RANGE, 4 OR 5 BURNER, ALL-  
GAS, 36"**

DRAWING NO  
**KRG36X-SERVICE**

REVISION  
**E**  
SHEET NO.  
17 OF 18

6

5

4

3

2

1

## ALL-GAS RANGE ERROR CODES

Selector LEDs	Error	Priority	Detection	Action	How to clear
TEMP KNOB: OFF MODE KNOB: 1 flash	RTD	A	Open or Short.	Cancel any cooking cycle, EOCU will be inoperable.	Power down and replace or plug in RTD.
TEMP KNOB: ON MODE KNOB: 2 flashes	Invalid Model Header	A	Model Header is undefined.	This is read only at power up, EOCU will be inoperable	Power down and insert correct model header.
TEMP KNOB: ON MODE KNOB: 3 flashes	Cooling Fan Hall Effect	A	EOCU is not receiving a square wave in the allowable frequency range.	Cancel cooking operation immediately.	Turn cycle OFF. Power down and correct cooling fan issue.
TEMP KNOB: ON MODE KNOB: 5 flashes	No Restart on Power Loss	A	Power loss occurred while a cycle was running.	Once power has been restored, do not restart any oven operations.	Turn selector knobs to the OFF position.
TEMP KNOB: ON MODE KNOB: 8 flashes	Communication Error	B	RS485 serial communication is lost or unable to establish communication between EOCU(s).	For double oven units, only the small oven knob will flash with the error code indication. Only the large oven can still perform a cooking cycle. SABBATH mode is disallowed on both ovens. Small oven cooling fan will stay on.	Turn unit OFF. Power down and check RS485 connection.
TEMP KNOB: ON MODE KNOB: 9 flashes	Temperature Run-Away	A	Control detects temperature greater than or equal to 610°F during a cooking cycle.	Go into error mode and shut down oven.	Turn unit OFF. Power down and replace the EOCU.

### Error Priority

### Condition

A	Critical Error, turn Mode and Temp knobs OFF.
B	Non-Critical, cancel only the feature that is affected, allow oven to still operate.



**PROPRIETARY**  
NO PART OF THIS DOCUMENT MAY BE REPRODUCED, STORED IN A RETRIEVAL SYSTEM, OR TRANSMITTED IN ANY FORM, WITHOUT THE WRITTEN PERMISSION OF Hestan Commercial Corporation. THIS DOCUMENT OR ANY COPIES SHALL BE RETURNED UPON WRITTEN REQUEST.

DESCRIPTION

**SERVICE - RANGE, 4 OR 5 BURNER, ALL-GAS, 36"**

DRAWING NO

**KRG36X-SERVICE**

REVISION

**E**

SHEET NO.  
18 OF 18

6

5

4

3

2

1